

SG30_33_40_50CX(I)-UEN-Ver13-202003

SG30_33_40_50CX(I)

PV Grid-Connected Inverter

User Manual

SUNGROW

All Rights Reserved

All Rights Reserved

No part of this document can be reproduced in any form or by any means without the prior written permission of Sungrow Developers India Private Limited (hereinafter "SUNGROW").

Trademarks

SUNGROW and other Sungrow trademarks used in this manual are owned by SUNGROW.

All other trademarks or registered trademarks mentioned in this document are owned by their respective owners.

Software Licenses

- It is prohibited to use data contained in firmware or software developed by SUNGROW, in part or in full, for commercial purposes by any means.
- It is prohibited to perform reverse engineering, cracking, or any other operations that compromise the original program design of the software developed by SUNGROW.

Sungrow Developers India Private Limited

Address: No.85 , Kaniminike Village , Kengeri Hobli, Bangalore South Taluk , Bangalore 560074, India

Email: service@in.sungrowpower.com

Tel: +91 080 41201350

Website: www.sungrowpower.com

About This Manual

The manual mainly describes the product information, guidelines for installation, operation and maintenance. The manual cannot include complete information about the photovoltaic (PV) system. You can get additional information about other devices at [www. sungrowpower. com](http://www.sungrowpower.com) or on the webpage of the respective component manufacturer.

Validity

This manual is valid for the following inverter types:

- SG30CX
- SG33CX
- SG40CX
- SG50CX

They will be referred to as “ inverter ” hereinafter unless otherwise specified.

Target Group

This manual is intended for:




- qualified personnel who are responsible for the installation and commissioning of the inverter; and
- inverter owners who will have the ability to interact with the inverter.


How to Use This Manual

Read the manual and other related documents before performing any work on the inverter is carried out. Documents must be stored carefully and be available at all times. The contents of the manual will be periodically updated or revised due to the product development. It is probably that there are changes of manual in the subsequent inverter edition. The latest manual can be acquired via visiting the website at [www. sungrowpower.com](http://www.sungrowpower.com).

Symbols

Important instructions contained in this manual should be followed during installation, operation and maintenance of the inverter. They will be highlighted by the following symbols.

Symbol	Explanation
 DANGER	Indicates a hazard with a high level of risk that, if not avoided, will result in death or serious injury.
 WARNING	Indicates a hazard with a medium level of risk that, if not avoided, could result in death or serious injury.
 CAUTION	Indicates a hazard with a low level of risk that, if not avoided, could result in minor or moderate injury.

Symbol	Explanation
NOTICE	Indicates a situation that, if not avoided, could result in equipment or property damage.
	Indicates additional information, emphasized contents or tips that may be helpful, e.g. to help you solve problems or save time.

Contents

All Rights Reserved	I
About This Manual	II
1 Safety	1
1.1 PV Panels.....	1
1.2 Utility Grid	1
1.3 Inverter	2
1.4 Skills of Qualified Personnel.....	3
2 Product Introduction	4
2.1 Intended Usage.....	4
2.2 Product Introduction.....	5
2.2.1 Model Description.....	5
2.2.2 Appearance.....	6
2.2.3 Dimensions	7
2.2.4 LED Indicator Panel	7
2.2.5 DC Switch.....	8
2.3 Circuit Diagram	8
2.4 Function Description	9
3 Unpacking and Storage	11
3.1 Unpacking and Inspection.....	11
3.2 Identifying the Inverter.....	11
3.3 Scope of Delivery	13
3.4 Inverter Storage	13
4 Mechanical Mounting	15
4.1 Safety during Mounting	15
4.2 Location Requirements	15
4.2.1 Installation Environment Requirements	15
4.2.2 Carrier Requirements.....	16
4.2.3 Installation Angle Requirements	16
4.2.4 Installation Clearance Requirements	17
4.3 Installation Tools.....	20
4.4 Moving the Inverter	21

4.4.1 Manual Transport	21
4.4.2 Hoisting Transport	21
4.5 Dimensions of mounting-bracket.....	22
4.6 PV Bracket-Mounted Installation.....	23
4.6.1 Preparation before Mounting	23
4.6.2 Mounting Steps	23
4.7 Wall-Mounted Installation.....	25
4.7.1 Preparation before Mounting	25
4.7.2 Mounting Steps	26
5 Electrical Connection	29
5.1 Safety Instructions.....	29
5.2 Terminal Description.....	29
5.3 Electrical Connection Overview	30
5.4 Additional Grounding Connection	32
5.4.1 Additional Grounding Requirements.....	32
5.4.2 Connection Procedure	33
5.5 AC Cable Connection	34
5.5.1 AC Side Requirements.....	34
5.5.2 Requirements for OT/DT Terminal	35
5.5.3 Aluminium Cable Requirements	35
5.5.4 Connection Procedure	36
5.6 DC Cable Connection	39
5.6.1 PV Input Configuration	39
5.6.2 Connection Procedure	40
5.6.3 Installing the PV Connectors	41
5.7 Communication Junction Box.....	43
5.7.1 Remove the Junction Box	43
5.7.2 Install the Junction Box	43
5.8 Communication Wiring Board.....	44
5.9 RS485 Communication	44
5.9.1 Interface Description.....	44
5.9.2 RS485 Communication System	45
5.9.3 Connection Procedure(Terminal Block)	47
5.9.4 Connection Procedure (RJ45 network port)	48
5.10 Dry Contact Connection	50
5.10.1 Dry Contact Function.....	50
5.10.2 Wiring Procedure.....	52

5.11 DRM Connection.....	52
5.11.1 DRM Function	52
5.11.2 Connection Procedure.....	53
5.12 Communication Module Connection (optional)	54
6 Commissioning	56
6.1 Inspection before Commissioning.....	56
6.2 Commissioning Procedure	56
7 iSolarCloud App	57
7.1 Brief Introduction.....	57
7.2 Download and Install	57
7.3 Login.....	58
7.3.1 Requirements	58
7.3.2 Login Steps	58
7.4 Function Overview	60
7.5 Home page.....	61
7.6 Running Information.....	64
7.7 History Record	65
7.7.1 Fault Alarm Records	66
7.7.2 Power Yields Records.....	67
7.7.3 Event Records	68
7.8 More.....	68
7.8.1 Parameter Setting.....	69
7.8.2 Password Changing	69
8 System Decommissioning	71
8.1 Disconnecting the Inverter.....	71
8.2 Dismantling the Inverter.....	71
8.3 Disposal of the Inverter.....	72
9 Troubleshooting and Maintenance	73
9.1 Troubleshooting	73
9.2 Maintenance.....	83
9.2.1 Routine Maintenance.....	84
9.2.2 Maintenance Instruction	84
10 Appendix	87
10.1 Technical Data	87
10.2 Wring Distance of DI Dry Contact	90
10.3 Quality Assurance	91

10.4 Contact Information 92

1 Safety

The inverter has been designed and tested strictly according to international safety regulations. Read all safety instructions carefully prior to any work and observe them at all times when working on or with the inverter.

Incorrect operation or work may cause:

- injury or death to the operator or a third party; or
- damage to the inverter and other property safety of the operator or a third party.

All detailed work-related safety warnings and notes will be specified at critical points in this manual.



The safety instructions in this manual cannot cover all the precautions that should be followed. Perform operations considering actual onsite conditions. SUNGROW shall not be held liable for any damage caused by violation of the safety instructions in this manual.

1.1 PV Panels

DANGER

PV strings will produce electrical power when exposed to sunlight and can cause a lethal voltage and an electric shock.

- Always keep in mind that the inverter is dual power supplied. Electrical operators must wear proper personal protective equipment: helmet, insulated footwear, glove, etc.
- Before touching the DC cables, operator must use a measuring device to ensure that the cable is voltage-free.
- Follow all warnings on the PV strings and in its manual.

1.2 Utility Grid

Please follow the regulations related to the utility grid.

NOTICE

All electrical connections must be in accordance with local and national standards.

Only with the permission of the utility grid, the inverter can be connected to the utility grid.

1.3 Inverter

⚠ DANGER

Danger to life from electric shocks due to live voltage

- Do not open the enclosure at any time. Unauthorized opening will void guarantee and warranty claims and in most cases terminate the operating license.

⚠ WARNING

Risk of inverter damage or personal injury

- Do not pull out the PV connectors when the inverter is running.
- Wait at least 5 minutes for the internal capacitors to discharge. Ensure that there is no voltage or current before pulling any connector.

⚠ WARNING

All safety instructions, warning labels, and nameplate on the inverter:

- Must be clearly legible.
- Should not be removed or covered.

⚠ CAUTION

Risk of burns due to hot components!

Do not touch any hot parts (such as heat sink) during operation. Only the DC switch can safely be touched at any time.

NOTICE







Only qualified personnel can perform the country setting.

- Unauthorized alteration of the country setting may cause a breach of the type-certificate marking.

By touching the electronic components, you may damage the inverter. For inverter handling, be sure to:

- avoid any unnecessary touching;and,
- wear a grounding wristband before touching any connectors.

Warning Label

Label	Description
	Danger to life due to high voltages! Only qualified personnel can open and service the inverter.
	Disconnect the inverter from all the external power sources before service!
 	Do not touch live parts until 5minutes after disconnection from the power sources.
	There is a danger from a hot surface that may exceed 60 ° C.
	Check the user manual before service!

1.4 Skills of Qualified Personnel

All installations should be performed by qualified personnel. They should have:

- Training in the installation and commissioning of the electrical system, as well as the dealing with hazards
- Knowledge of the manual and other related documents
- Knowledge of the local regulations and directives

2 Product Introduction

2.1 Intended Usage

SG30CX, SG33CX, SG40CX, SG50CX, a transformerless three-phase PV grid-connected inverter, is an integral component in the PV power system.

The inverter is designed to convert the direct current power generated from the PV modules into grid-compatible AC current and feeds the AC current to the utility grid. The intended usage of the inverter is illustrated in "figure 2-1 Inverter application in PV power system".

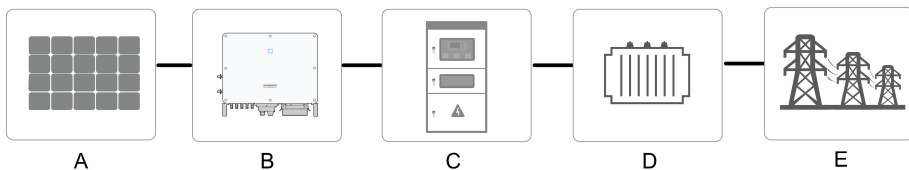


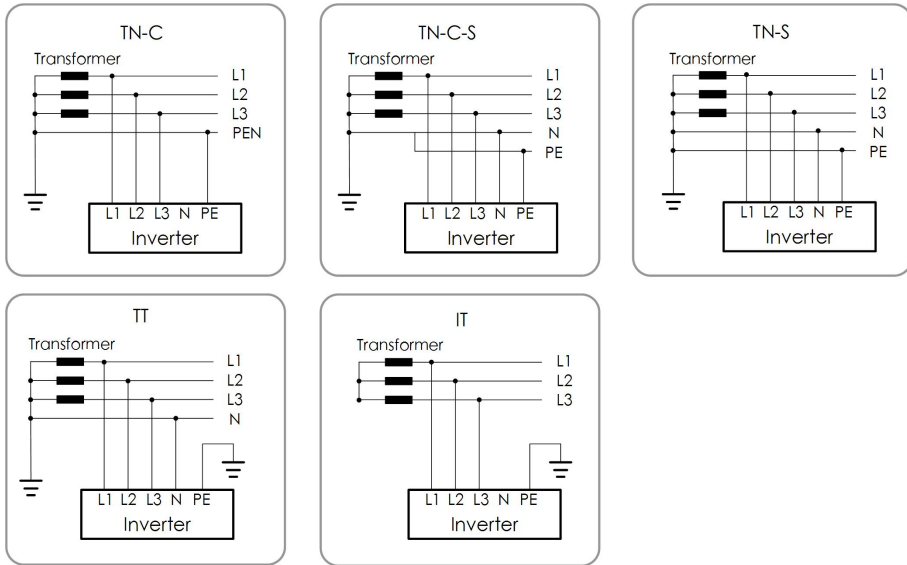
figure 2-1 Inverter application in PV power system

⚠ WARNING

Inverter cannot connect the PV strings whose positive and negative terminals need to be grounded.

Do not connect any local load between the inverter and the AC circuit breaker.

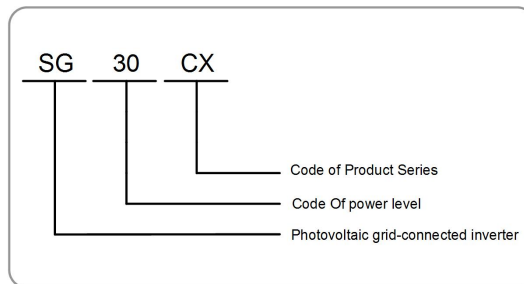
Item	Description	Note
A	PV strings	Monocrystalline silicon, polycrystalline silicon and thin-film without grounding.
B	Inverter	SG30CX, SG33CX, SG40CX, SG50CX.
C	Grid connection cabinet	Includes devices such as AC circuit breaker, SPD, metering device.
D	Transformer	Boost the low voltage from inverter to grid-compatible medium voltage.
E	Utility grid	TN-C, TN-S, TN-C-S, TT, IT.



2.2 Product Introduction

2.2.1 Model Description

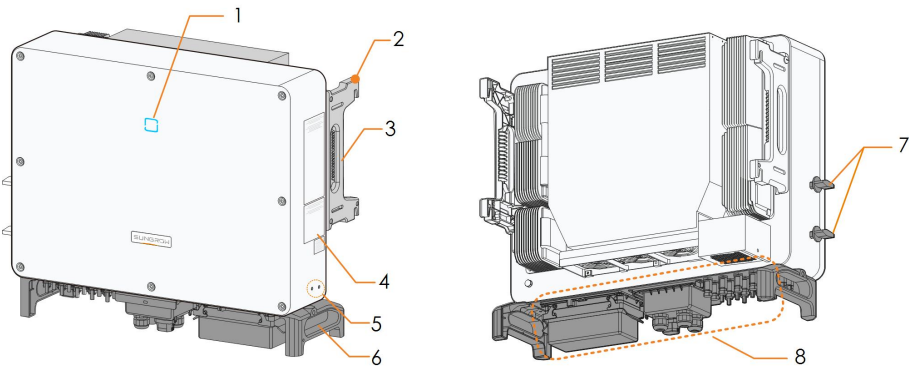
The device model description is as follows (Take SG30CX as an example):



Model	Nominal Output Power	Nominal Grid Voltage
SG30CX	30000W	3 / N / PE, 230 / 400V
SG33CX	33000W	
SG40CX	40000W	
SG50CX	50000W	

The device model can be found on the nameplate attached to the side of the inverter. For details, refer to "3.2 Identifying the Inverter".

2.2.2 Appearance



*The image shown here is for reference only. The actual product you receive may differ.

No.	Name	Description
1	LED indicator panel	HMI interface to indicate the present working state of the inverter.
2	Mounting ears	4, used to hang the inverter onto the mounting-bracket.
3	Side handles	2, used to move the inverter.
4	Labels	Warning symbols, nameplate, and QR code.
5	Additional grounding terminals	2, use at least one of them to ground the inverter.
6	Bottom handles	2, used to move the inverter.
7	DC switches*	To disconnect the DC current safely.
8	Wiring area	DC switches, AC terminals, DC terminals, and communication terminals. For details, refer to " 5.2 Terminal Description ".

*Devices for Australia and New Zealand are not equipped with DC switches.

2.2.3 Dimensions

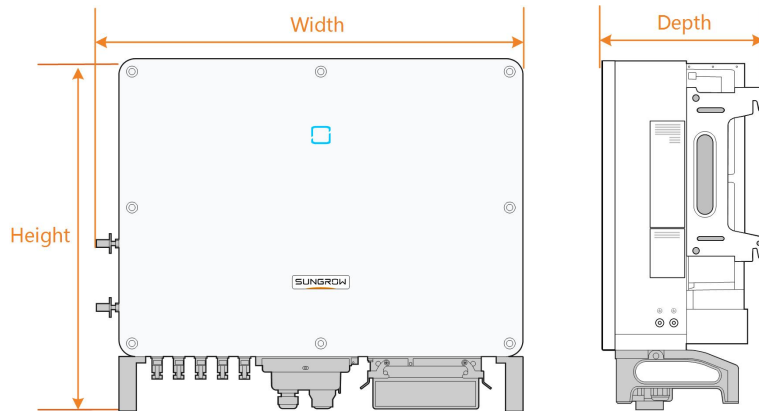


figure 2-2 Dimensions of the Inverter





*The image shown here is for reference only. The actual product you receive may differ.


Type	Dimensions (W*H*D)	Weight
SG30CX	702 × 595 × 310mm	50 kg
SG33CX		
SG40CX	782 × 645 × 310mm	58 kg
SG50CX		

2.2.4 LED Indicator Panel

As an HMI, the LED indicator panel on the front of the inverter can indicate the present working state of the inverter.

table 2-1 LED indicator description

LED indicator	LED state	Definition
 Blue	ON	The device is connected to the grid and operating normally.
	Fast blink (Period: 0.2s)	The Bluetooth communication is connected and there is data communication.
		No system fault occurs.
 Red	Slow flash (Period: 2s)	The device is in standby or startup state (not feeding power into the grid).
		
	ON	A fault occurs and the device cannot connect to the grid

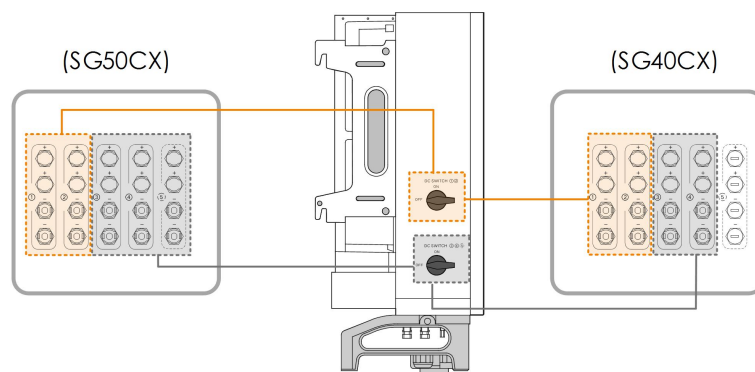
LED indicator	LED state	Definition
	Twinkling	The Bluetooth communication is connected and there is data communication.
		System fault occurs.
	OFF	Both the AC and DC sides are powered down.

2.2.5 DC Switch

The DC switch is used to disconnect the DC current safely whenever necessary. The SG30CX and SG50CX sold in Australia and New Zealand are not equipped with DC switch.

The SG33CX is equipped with one DC switch to control the connection and disconnection of all DC terminals.

The SG40CX and SG50CX are equipped with two DC switches separately controlling a group of DC inputs. The correspondence is as follows:



Turn the DC switches to the ON position before restarting the inverter.
Devices for Australia and New Zealand are not equipped with DC switches.

2.3 Circuit Diagram

The MPPT is utilized for DC input to ensure the maximum power from the PV array at different PV input conditions. The inversion circuit converts the DC power into AC power and feeds the AC power into the utility grid through the AC terminal. The protection circuit is equipped to ensure the safe operation of the device and personal safety.

The following figure shows the main circuit of the inverter.

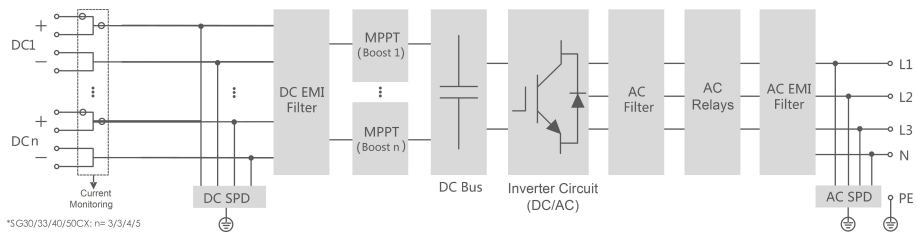


figure 2-3 Circuit diagram

2.4 Function Description

The inverter is equipped with the following functions:

Conversion function

The inverter converts the DC current into grid-compatible AC current and feeds the AC current into the grid.

Data storage

The inverter logs running information, error records, etc.

Parameter setting

The inverter provides various settable parameters. Users can set parameters via the App to meet the requirements and optimize the performance.

The inverter is designed with standard RS485 communication interfaces and communication accessory port.

- The standard RS485 communication interfaces are used to establish communication connection with monitoring devices and upload monitoring data by using communication cables.
- The communication accessory port is used to connect communication module manufactured by SUNGROW, and upload monitoring data by means of wireless communication.

The inverter can be connected to communication devices via either of the two interfaces. After communication connection is established, users can view inverter information or set inverter parameters through the iSolarCloud.



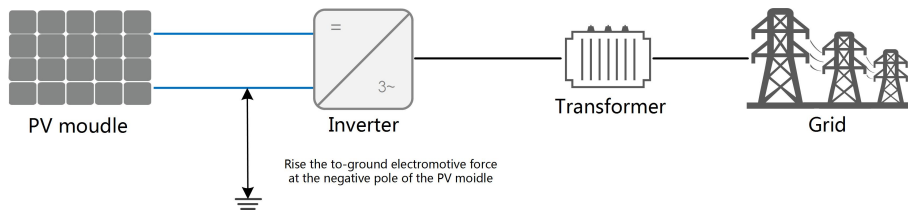
It is recommended to use the communication module from SUNGROW. Using a device from other companies may lead to communication failure or other unexpected damage.

Protection Function

The protective functions are integrated in the inverter, including anti-island protection, LVRT/ZVRT, DC reversed polarity protection, AC short circuit protection, leakage current protection, DC overvoltage/overcurrent protection, etc.

PID function

After the PID function is enabled, the voltage to ground of all PV modules is greater than 0, that is, the PV module-to-ground voltage is a positive value.



NOTICE

- Before enabling the PID recovery function, make sure the voltage polarity of the PV modules to ground meets requirement. If there are any questions, contact the PV module manufacturer or read its corresponding user manual.
- If the voltage scheme for the PID protection/recovery function does not meet the requirement of corresponding PV modules, the PID function will not work as expected or even damage the PV modules.

- PID recovery function

When the inverter is not running, the PID module will apply inverse voltage to PV modules, to restore the degraded modules.



- If the PID recovery function is enabled, it only works at night.
- After the PID recovery function is enabled, the voltage of the PV string to ground is 500Vdc by default, and the default value can be modified through the App.

3 Unpacking and Storage

3.1 Unpacking and Inspection

The inverter is thoroughly tested and strictly inspected before delivery. Damage may still occur during shipping. Conduct a thorough inspection after receiving the device.

- Check the packing for any visible damage.
- Check the inner contents for damage after unpacking.
- Check the delivery scope for completeness according to the packing list.

Contact SUNGROW or the supplier in case there is any damage or incompleteness.

Do not dispose of the original packing case. It is recommended to store the inverter in it.

3.2 Identifying the Inverter

The nameplate can be found on both the inverter and the packing case. It provides information on type of inverter, important specifications, marks of certification institutions, and serial number which are available and identified by SUNGROW. Take SG33CX as an example:

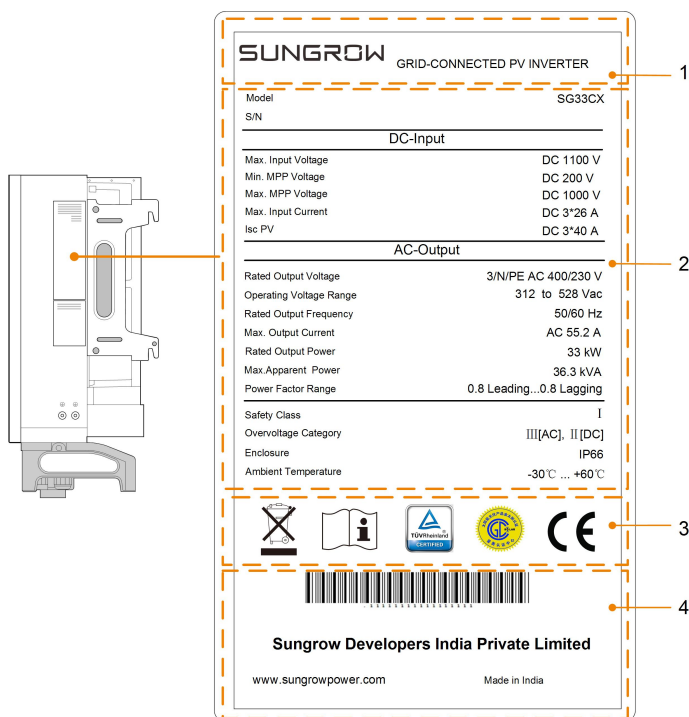


figure 3-1 Nameplate of Inverters

* The image shown here is for reference only. The actual product you receive may differ.

Item	Description
1	SUNGROW logo and product type
2	Technical data of inverter
3	Instructions and marks of conformity
4	Company name, website and country of manufacture

table 3-1 Description of Icons on the Nameplate

Icon	Description
	Do not dispose of the inverter together with household waste.
	Refer to the corresponding instructions.
	TÜV mark of conformity.
	CGC-SOLAR mark of conformity.
	CE mark of conformity.

3.3 Scope of Delivery

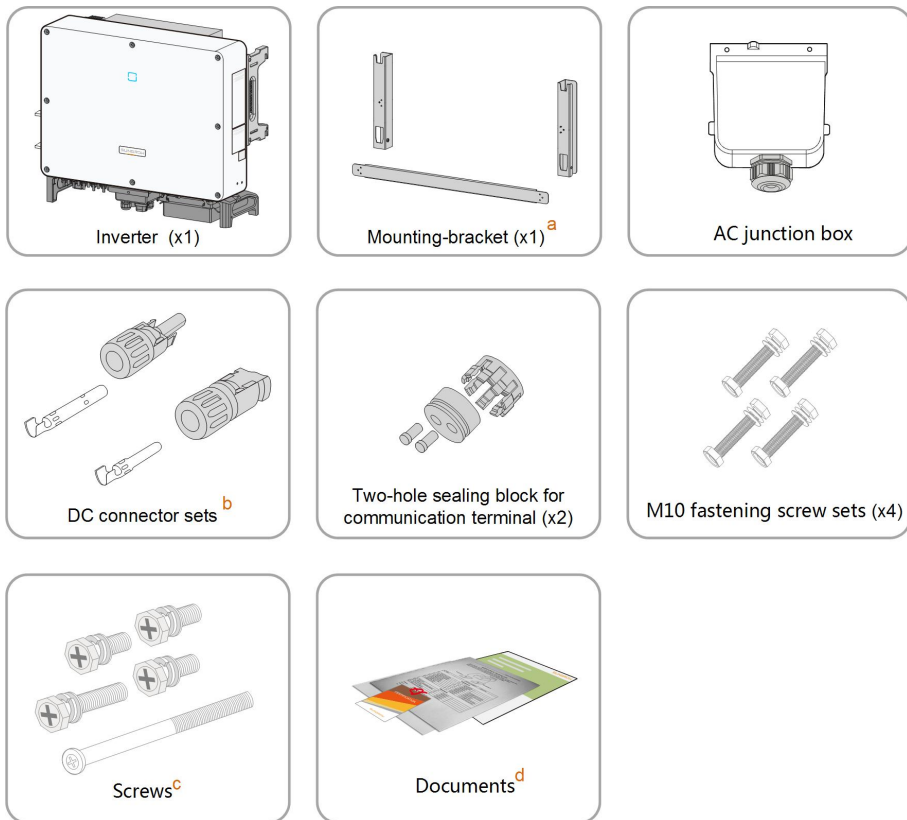


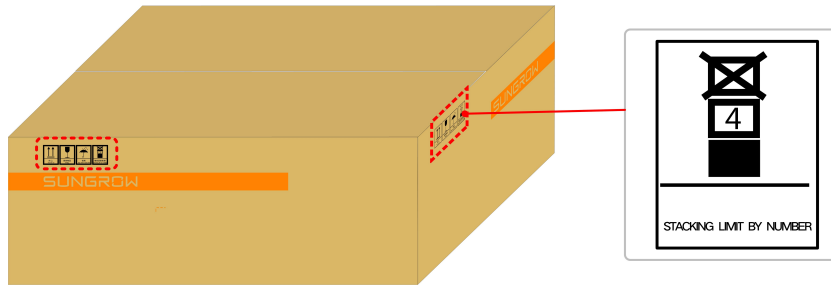
figure 3-2 Scope of Delivery

- a. The mounting-bracket includes 2 mounting-bracket components and 1 connecting bar.
- b. The SG30CX, SG33CX, SG40CX, SG50CX are respectively provided with 6, 6, 8, 10 pairs of DC connectors and cord end terminals.
- c. The screws include 1 M4 × 25 screw, 3 M4 × 10 screws, and 2 M6 × 65 screws.
- d. The documents include the quick installation guide, packing list, warranty card, etc.

3.4 Inverter Storage

Proper storage is required if the inverter is not installed immediately.

- Store the inverter in the original packing case with the desiccant inside.
- The storage temperature must be always between -40°C and $+70^{\circ}\text{C}$, and the storage relative humidity must be always between 0 and 95 %, non-condensing.
- In case of stacking storage, the number of stacking layers should never exceed the limit marked on the outer side of the packing case.



- The packing case should be upright.
- If the inverter has been stored more than half a year, the qualified personnel should thoroughly check and test it before using.

4 Mechanical Mounting

4.1 Safety during Mounting

⚠ DANGER

Make sure there is no electrical connection before installation.
In order to avoid electric shock or other injury, be sure there is no electricity or plumbing installations before drilling holes.

⚠ CAUTION

Risk of injury due to improper handling

- Always follow the instructions when moving and positioning the inverter.
- Improper operation may cause injuries, serious wounds, or bruise.

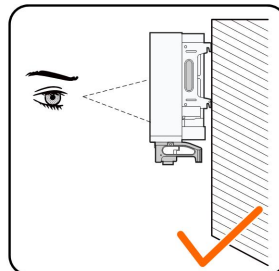
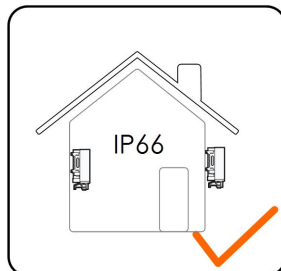
System performance loss due to poor ventilation!

- Keep the heat sinks uncovered to ensure heat dissipation performance.

4.2 Location Requirements

Select an optimal mounting location for safe operation, long service life, and outstanding performance.

- The inverter with IP 66 can be installed both indoors and outdoors.
- Install the inverter in a place convenient for electrical connection, operation, and maintenance.



4.2.1 Installation Environment Requirements

- The installation environment is free of inflammable or explosive materials.
- The location should be not accessible to children.

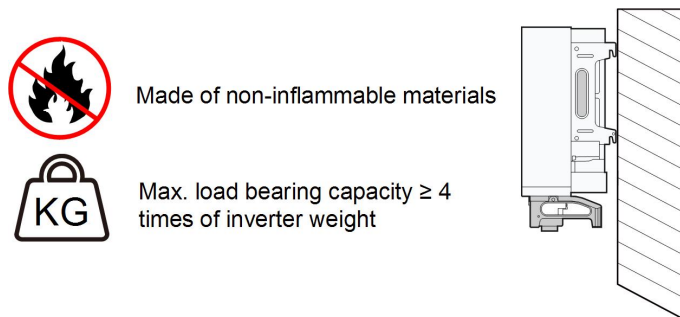
- The ambient temperature and relative humidity must meet the following requirements.



- Do not install the inverter outdoors in areas with salt damage, which mainly refer to the areas within 500 m away from the coast. The deposition of salt fog varies largely with nearby seawater characteristics, sea wind, precipitation, relative humidity, terrain, and forest coverage.
- Prevent the inverter from direct exposure to sun, rain and snow.
- The inverter should be well ventilated. Ensure air circulation.
- Never install the inverter in living areas. The inverter will generate noise during operation, affecting daily life.

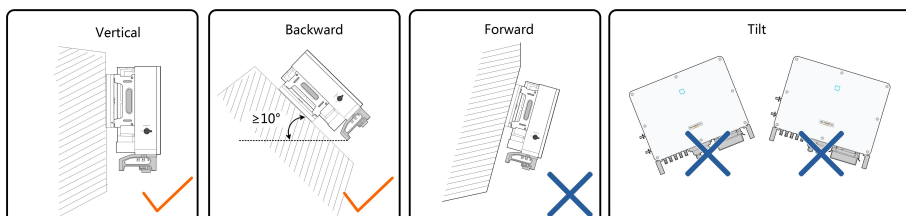
4.2.2 Carrier Requirements

The installation carrier should meet the following requirements:

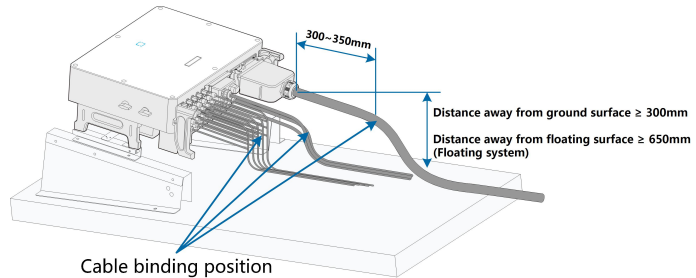


4.2.3 Installation Angle Requirements

Inverter vertically or at a minimum back tilt of 10 ° . Forward installation or upside down installation is prohibited.



In case the installation site is a level surface, mount the inverter to the horizontal-mounting bracket to meet the mounting angle requirements, as shown in the figure below.



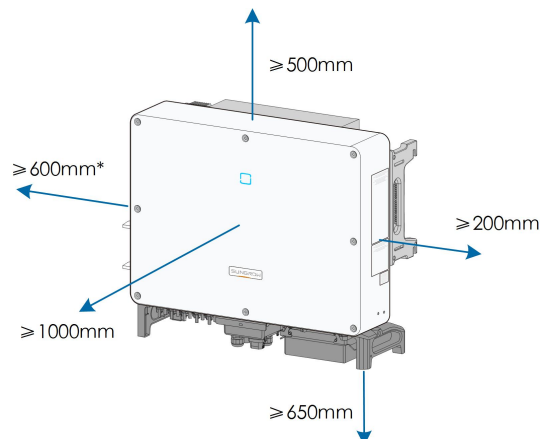
Take the following items into account when designing the bracket scheme:

- Consider onsite climate conditions and take anti-snow and anti-rain measures if necessary.
- Ensure that the waterproof connectors are at least 300mm higher than the ground surface. In case the inverter is applied in a floating power plant, ensure that the waterproof connectors are at least 650mm higher than the floating body surface.
- Bind the cables at the positions 300~350mm away from the DC connector, AC waterproof terminal, and communication waterproof terminal.
- The various waterproof terminals should be tightened in accordance with the torque requirements in this manual to ensure that they are tight and sealed.

Contact SUNGORW if you have any question.

4.2.4 Installation Clearance Requirements

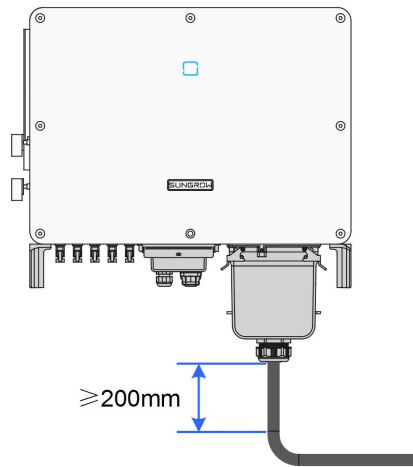
- Reserve enough clearance around the inverter to ensure sufficient space for heat dissipation. (The fans are maintained on the left side of the inverter, and a larger clearance is required.)



* The distance can be shortened to 200mm according to onsite conditions. In case the distance is less than 600mm, move the inverter from the mounting-bracket or wall before maintaining fans.

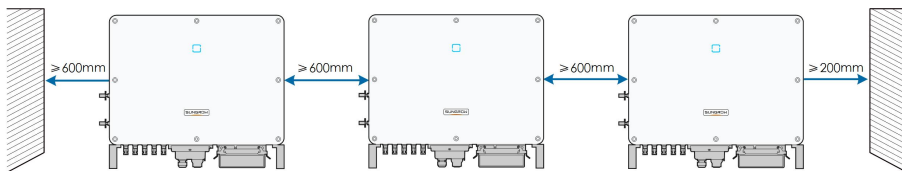
The distance between the bottom of the inverter and the ground surface is determined according to the bending radius of the AC cable used and the installation environment. In addition, the following conditions must be met:

- The distance between the bottom of the inverter and the ground surface is not less 650mm.
- The AC cable is vertically led into the cabinet, and the straight length is not less 200mm.

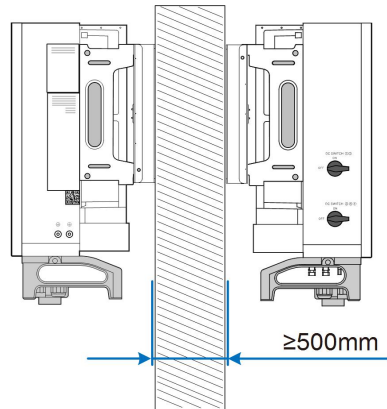


If there are any questions, please consult the AC cable manufacturer.

- In case of multiple inverters, reserve specific clearance between the inverters.



- In case of back-to-back installation, reserve specific clearance between the two inverters.



- Install the inverter at an appropriate height for ease of viewing LED indicators and operating switches.

4.3 Installation Tools

Installation tools include but are not limited to the following recommended ones. If necessary, use other auxiliary tools on site.

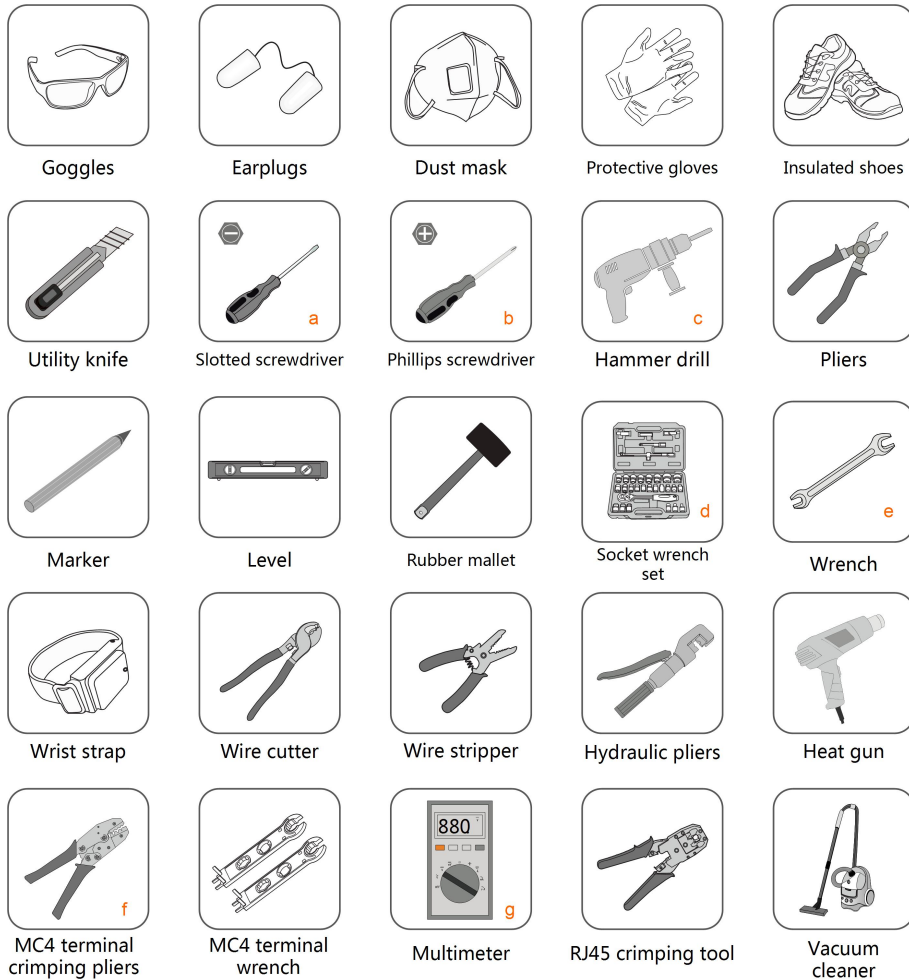


table 4-1 Tool specification

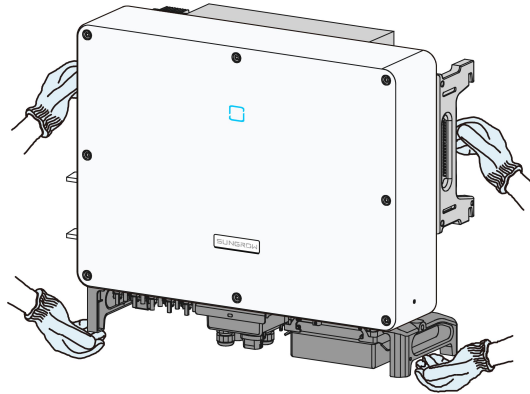
No.	Specification
a	M2/M6
b	M4/M6/M8
c	Drill bit: $\phi 12$, $\phi 14$
d	Includes sleeve with opening size 16mm
e	Opening: 13mm, 16mm
f	Crimp range 4~6mm ²
g	Range $\geq 1100\text{Vdc}$

4.4 Moving the Inverter

Move the inverter to the specified position before installation. The inverter can be moved manually or via a hoist.

4.4.1 Manual Transport

Lift and move the inverter to the destination by using the side handles and bottom handles.



⚠ CAUTION

Inappropriate moving operation may cause personal injury!

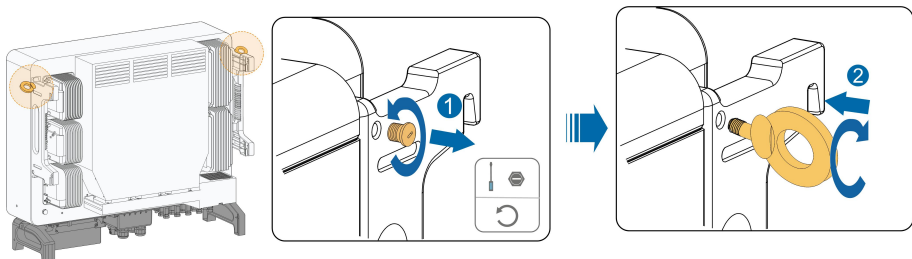
- It is recommended that at least two installers carry the inverter together and wear protective equipment such as smash-proof shoes and gloves
- Always beware of the gravity center of the inverter and avoid tipping.

NOTICE

The ground surface on which the inverter is to be placed should be covered with a sponge pad, foam cushion or the like to prevent the inverter bottom from scratches.

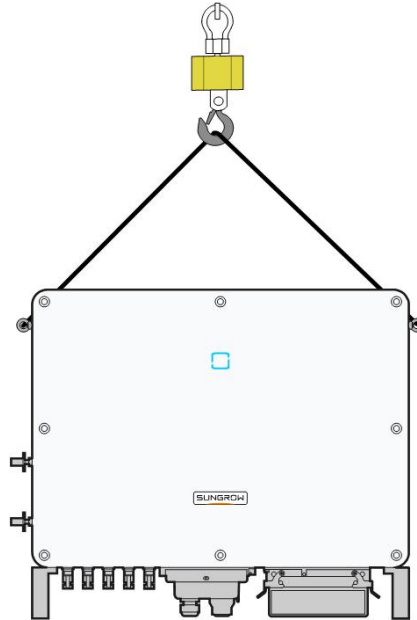
4.4.2 Hoisting Transport

step 1 Release the sealing screws on the mounting ears and store them properly. Anchor two M12 thread lifting rings to the hangers of the inverter.



step 2 Lead the sling through the two lifting rings and fasten the tie-down strap.

step 3 Hoist the inverter, and stop to check for safety when the inverter is 100mm above the ground. Continue hoisting the device to the destination after ensuring the safety.



step 4 Remove the lifting rings and reassemble the sealing screws released in Step 1.

⚠ CAUTION

Keep the inverter balanced throughout the hoisting process and avoid collisions with walls or other objects.

Stop hoisting in the event of severe weather, such as heavy rain, thick fog, or strong wind.



The lifting rings and the sling are not within the delivery scope.

-- End

4.5 Dimensions of mounting-bracket

Dimensions of the assembled mounting-bracket are as follows:

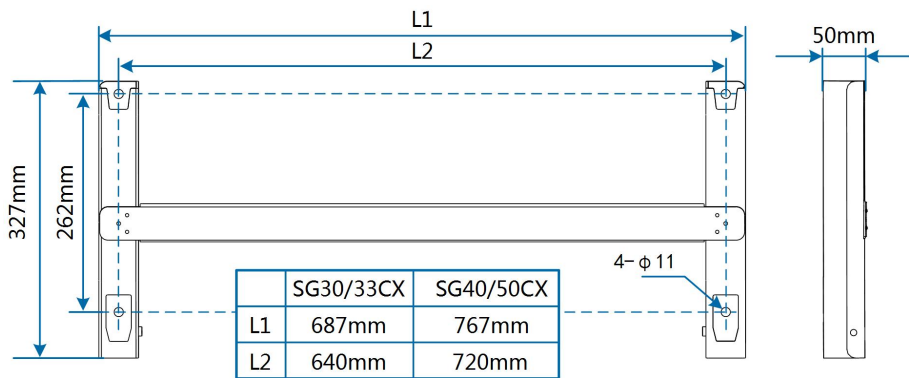


figure 4-1 Dimensions of mounting-bracket

4.6 PV Bracket-Mounted Installation

4.6.1 Preparation before Mounting

Tools

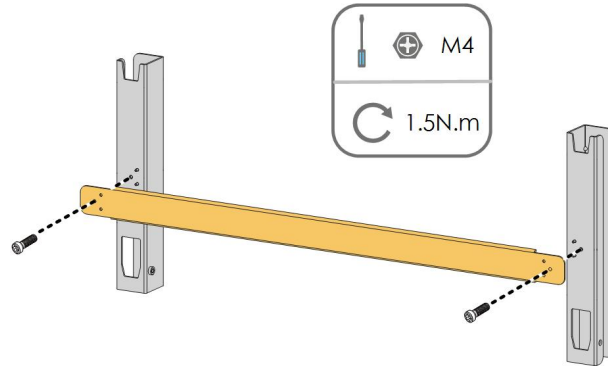
Item	Specification
Phillips screwdriver/ electric screw driver	M4, M6
Marker	-
Level	-
Hammer drill	Drill bit: $\phi 12$
Socket wrench	Including 16mm socket
wrench	Opening: 16mm

Spare parts

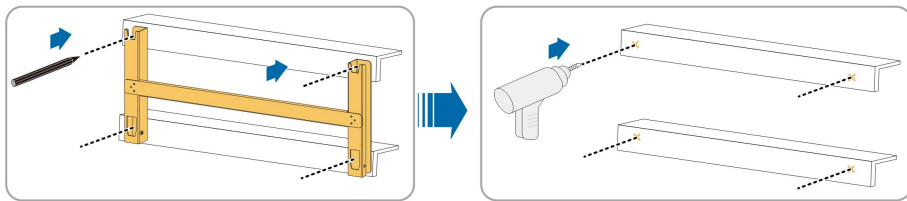
Item	Quantity	Specification	Source
Grub screw	2	M4 \times 10	Delivery scope
	2	M6 \times 65	Delivery scope
Bolt assembly	4	M10	Delivery scope

4.6.2 Mounting Steps

step 1 Assemble the mounting-bracket by using the connecting bar.



step 2 Level the assembled mounting-bracket by using the level, and mark the positions for drilling holes on the PV bracket. Drill the holes by using a hammer drill.



step 3 Secure the mounting-bracket with bolts.

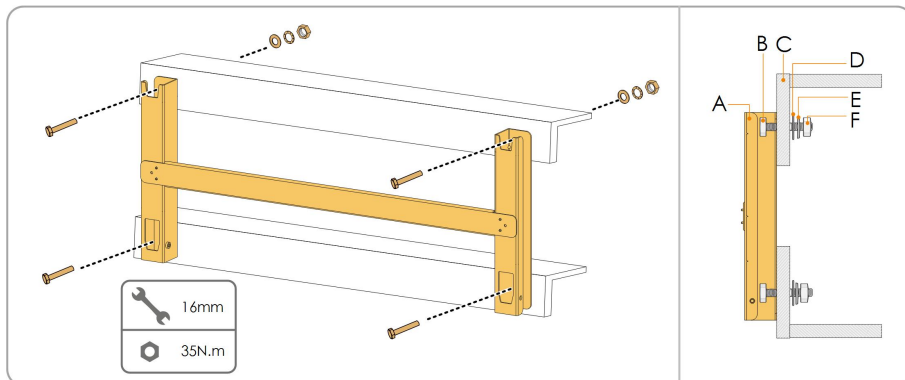


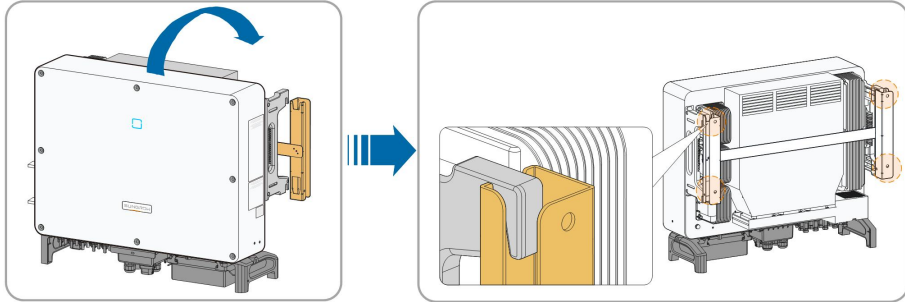
table 4-2 Fastening sequence

No.	Components	Description
A	Mounting-bracket	-
B	Full threaded bolt	M10*45
C	Metal bracket	-
D	Flat washer	-
E	Spring washer	-
F	Hex nuts	-

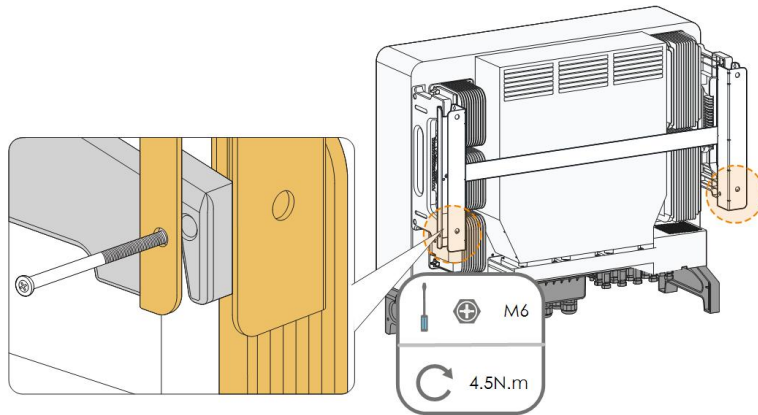
step 4 Take out the inverter from the packing case.

step 5 Hoist the inverter to the installation position when necessary (refer to "[4.4.2 Hoisting Transport](#)"). If the installation position is not high enough, skip performing this step.

step 6 Hang the inverter to the mounting-bracket and ensure that the mounting ears perfectly engage with the mounting-bracket.



step 7 Fix the inverter with two M6 × 65 screws.



-- End

4.7 Wall-Mounted Installation

4.7.1 Preparation before Mounting

Tools

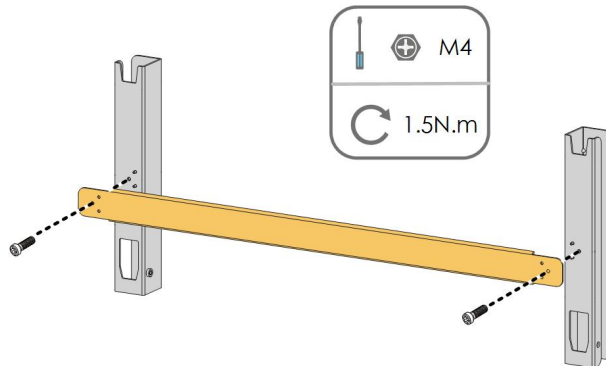
Item	Specification
Phillips screwdriver/ electric screw driver	M4, M6
Marker	-
Level	-
Hammer drill	Drill bit(Select according to expansion bolt specifications)
Socket wrench	Including 16mm socket
Wrench	Opening: 16mm

Spare parts

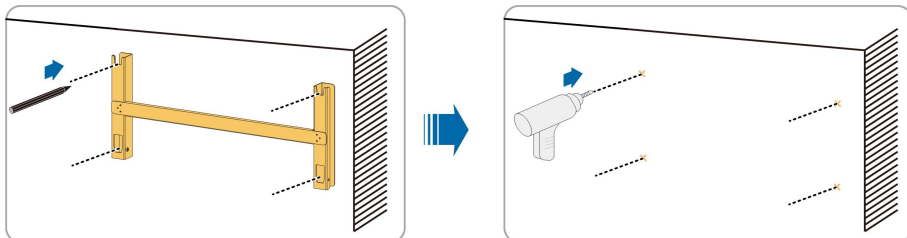
Item	Quantity	Specification	Source
Grub screw	2	M4 × 10	Delivery scope
	2	M6 × 65	Delivery scope
Expansion bolts	4	M10 × 95 (Recommended)	Self-prepared

4.7.2 Mounting Steps

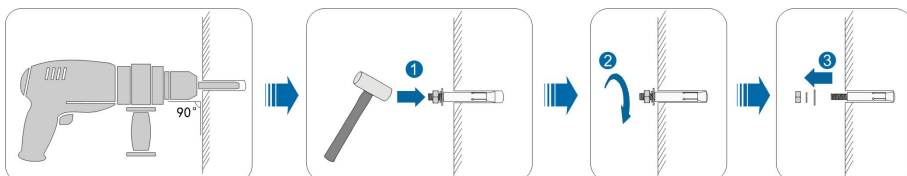
step 1 Assemble the mounting-bracket by using the connecting bar.



step 2 Level the assembled mounting-bracket by using the level, and mark the positions for drilling holes on the installation site.



step 3 Insert the expansion bolts into the holes and secure them with a rubber hammer. Fasten the nut with a wrench to expand the bolt. Remove the nut, spring washer, and flat washer, and store them properly.



step 4 Fix the mounting-bracket with the expansion bolts.

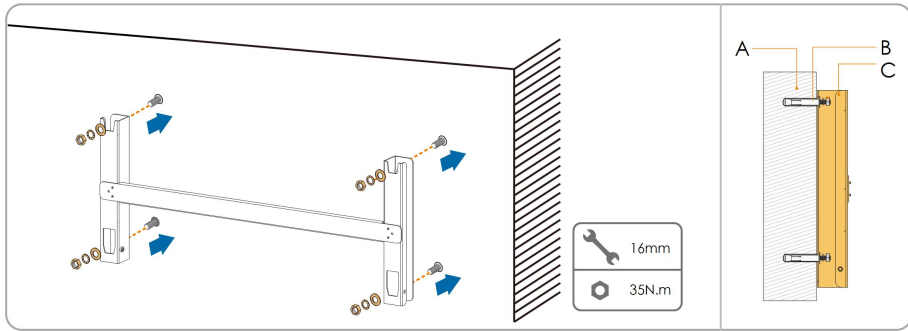


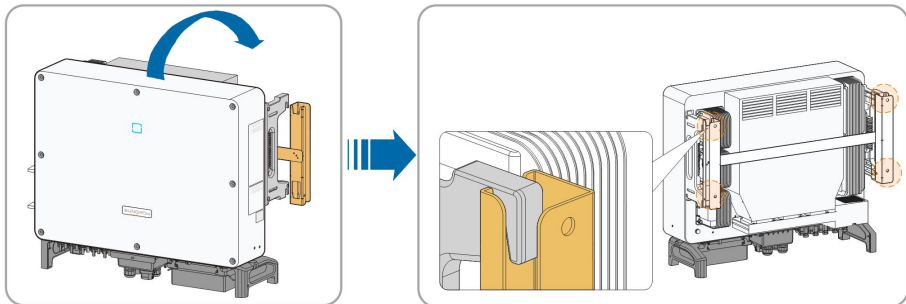
table 4-3 Fastening sequence

Item	Designation	Description
A	Wall	-
B	Expansion bolt	Fastening the bolt in the sequence of nut, spring washer, slat washer
C	Mounting-bracket	-

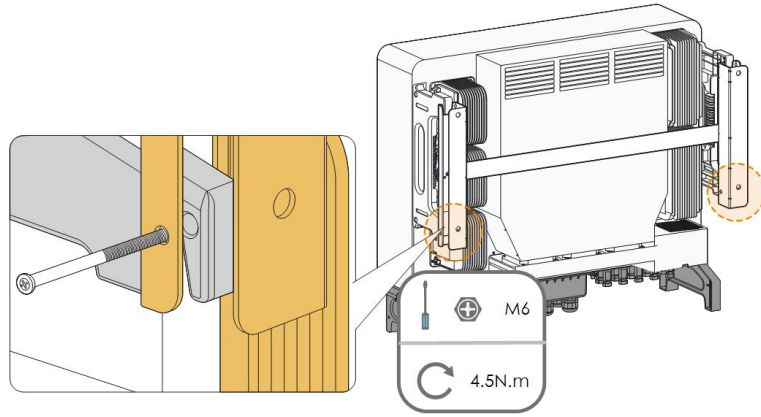
step 5 Take out the inverter from the packing case.

step 6 Hoist the inverter to the installation position when necessary (refer to "[4.4.2 Hoisting Transport](#)"). If the installation position is not high enough, skip performing this step.

step 7 Hang the inverter to the mounting-bracket and ensure that the mounting ears perfectly engage with the mounting-bracket.



step 8 Fix the inverter with screws.



-- End

5 Electrical Connection

5.1 Safety Instructions

Prior to any electrical connections, keep in mind that the inverter has dual power supplies. It is mandatory for the qualified personnel to wear personal protective equipments (PPE) during the electrical work.

DANGER

Danger to life due to a high voltage inside the inverter!

- The PV string will generate lethal high voltage when exposed to sunlight.
- Before starting electrical connections, disconnect the DC and AC circuit breakers and prevent them from inadvertent reconnection.
- Ensure that all cables are voltage free before performing cable connection.

WARNING

- Any improper operations during cable connection can cause device damage or personal injury.
- Only qualified personnel can perform cable connection.
- All cables must be undamaged, firmly attached, properly insulated and adequately dimensioned.

NOTICE

Comply with the safety instructions related to the PV strings and the regulations related to the utility grid.

- All electrical connections must be in accordance with local and national standards.
- Only with the permission of the utility grid, the inverter can be connected to the utility grid.

5.2 Terminal Description

Wiring terminals are at the bottom of the inverter, as shown in the figure below.

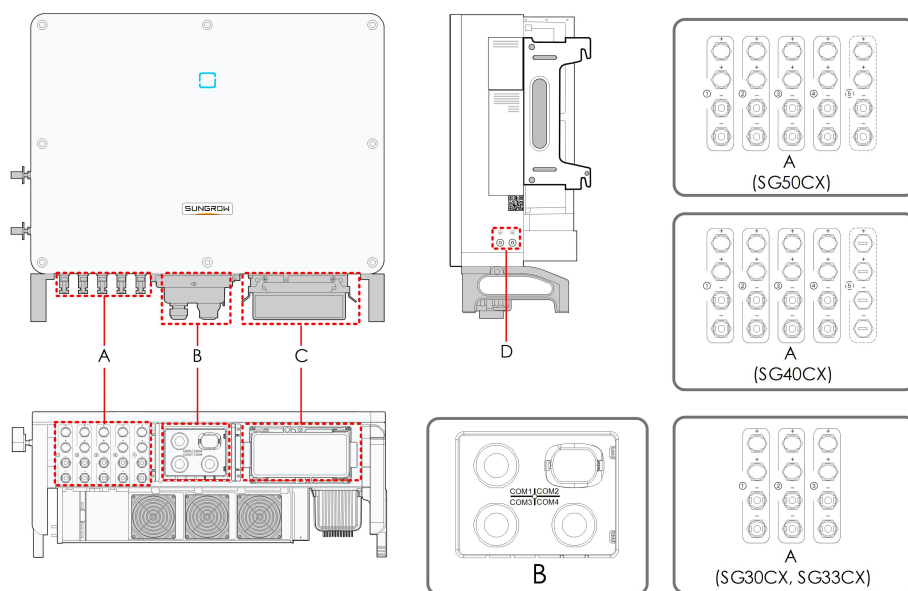


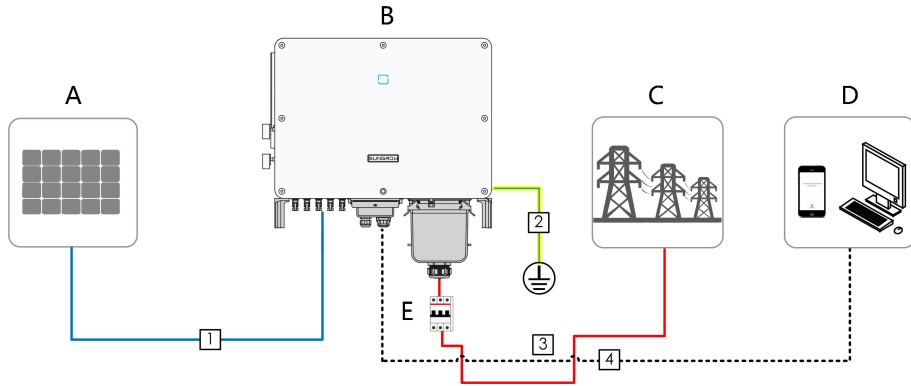
figure 5-1 Wiring terminals

* Figure shown here is for reference only. The actual product you receive may differ !

Item	Terminal	Mark	Note
A	PV terminals	+ / -	MC4 PV connector
			SG30CX, SG33CX: 6 pairs of terminals
			SG40CX: 8 pairs of terminals
			SG50CX: 10 pairs of terminals
B	Communication terminal	COM1	For RS485 communication wiring.
		COM2	For Communication module connection, such as GPRS, WiFi, and E-Net
		COM3	For digital input and output DI/DO wiring.
		COM4	For DRM communication wiring.
C	AC junction box	—	Remove the protective case and use the junction box in the shipping accessory for wiring.
D	Additional grounding terminal		2, use at least one of them to ground the inverter.

5.3 Electrical Connection Overview

Electrical connection in the PV system includes additional grounding connection, AC connection, and PV string connection.



Item	Designation
A	PV string
B	Inverter
C	Grid
D	Monitoring device
E	ACcircuit breaker

table 5-1 Cable requirements

No.	Cable	Type	Specification	
			Cable Diameter (mm)	Cross-sectional area (mm ²)
1	DC cable	PV cable complying with 1,500V standard	6~9	4~6
2	Additional Grounding cable	Outdoor single-core copper wire cable	/	The same as that of the PE wire in the AC cable
3	AC cable	Outdoor multi-core copper or aluminium cable	20~50	L1,L2,L3,N wire (SG30CX, SG33CX): 16~35 L1,L2,L3,N wire (SG40CX): 25~50 L1,L2,L3,N wire (SG50CX): 35~70 PE wire: refer to "table 5-2 PE wire requirements"

No.	Cable	Type	Specification	
			Cable Diameter (mm)	Cross-sectional area (mm ²)
4	Communication cable	Shielded twisted pair (terminal block)	4.5~18	0.1~0.5
		CAT-5 Ethernet cable (RJ45)		/

table 5-2 PE wire requirements

Phase wire cross section S	PE wire cross section	Note
$16 < S \leq 35 \text{mm}^2$	16 mm ²	The specifications are valid only when the phase wire and PE wire use the same material. If otherwise, ensure that the cross section of the PE wire produces a conductance equivalent to that of the wire specified in the table.
$S > 35 \text{mm}^2$	S/2	

5.4 Additional Grounding Connection

WARNING

Since the inverter is a transformerless inverter, neither the negative pole nor the positive pole of the PV string can be grounded. Otherwise, the inverter will not operate normally.

Connect the additional grounding terminal to the protective grounding point before AC cable connection, PV cable connection, and communication cable connection.

The ground connection of this additional grounding terminal cannot replace the connection of the PE terminal of the AC cable. Make sure those terminals are both grounded reliably.

5.4.1 Additional Grounding Requirements

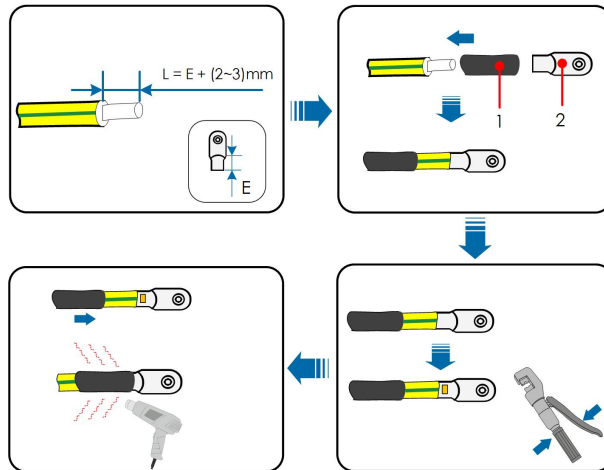
All non-current carrying metal parts and device enclosures in the PV power system should be grounded, for example, brackets of PV modules and inverter enclosure.

When there is only one inverter in the PV system, connect the additional grounding cable to a nearby grounding point.

When there are multiple inverters in the PV system, connect grounding points of all inverters and the PV array frames to the equipotential cable (according to the onsite conditions) to implement an equipotential connection.

5.4.2 Connection Procedure

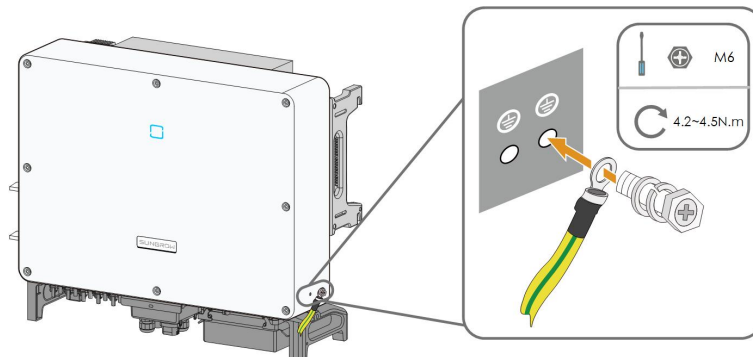
step 1 Prepare the cable and OT/DT terminal.



1: Heat shrink tubing

2: OT/DT terminal

step 2 Remove the screw on the grounding terminal and fasten the cable with a screwdriver.



step 3 Apply paint to the grounding terminal to ensure corrosion resistance.

-- End



The grounding screws have been anchored to the side of the inverter before delivery, and do not need to be prepared.

There are two grounding terminals. Use at least one of them to ground the inverter.

5.5 AC Cable Connection

5.5.1 AC Side Requirements

Before connecting the inverter to the grid, ensure the grid voltage and frequency comply with requirements, for which, refer to "10.1 Technical Data". Otherwise, contact the electric power company for help.



Connect the inverter to the grid only after getting an approval from the local electric power company.

AC Circuit Breaker

An independent four-pole circuit breaker is installed on the output side of the inverter to ensure safe disconnection from the grid.

Inverter	Recommended rated voltage	Recommended rated current
SG30CX	400V	63A
SG33CX		63A
SG40CX		80A
SG50CX		100A

If multiple inverters need to share a circuit breaker, the circuit breaker should be selected according to the capacity.

NOTICE

Never connect a load between the inverter and the circuit breaker.

Multiple Inverters in parallel Connection

If multiple inverters are connected in parallel to the grid, ensure that the total number of parallel inverters does not exceed 30. Otherwise, please contact SUNGROW for technical scheme.

MV transformer

The MV transformer used together with the inverter should meet the following requirements:

- The transformer may be a distribution transformer, and it must be designed for the typical cyclical loads of a PV system (load in the day and no load at night).
- The transformer may be of the liquid-immersed type or dry type, and shield winding is not necessary.
- The line-to-line voltage on the LV side of the transformer should endure the output voltage of inverter. When the transformer is connected to the IT grid, to-ground withstanding voltage of the LV winding of the transformer, the AC cables, and the

secondary equipment (including the relay protection device, detection & measuring device, and other related auxiliary devices) should not be lower than 1,100V.

- The line-to-line voltage on the HV side of transformer should comply with local power grid voltage.
- A transformer with a tap changer on the HV side is recommended in order to keep consistent with the grid voltage.
- At an ambient temperature of 45°C, the transformer can run in 1.1 times of load for long time.
- Transformer with a short-circuit impedance 6% (permissible tolerance: $\pm 10\%$) is recommended.
- The voltage drop of system cable is no more than 3%.
- The DC component that the transformer can withstand is 1% of the fundamental current at rated power.
- For thermal rating, the load curve of the transformer and environment conditions should be taken into account.
- The apparent power of the inverter should never exceed the power of the transformer. The maximum AC current of all inverters connected in parallel must be taken into account. If more than 30 inverters are connected to the grid, contact SUNGROW.
- The transformer must be protected against overloading and short circuit.
- The transformer is an important part of grid-connected PV generation system. The fault tolerance capacity of the transformer should be taken into account at all times. The fault include: system short circuit, grounding fault, voltage drop, etc.
- Take ambient temperature, relative humidity, altitude, air quality, and other environmental conditions into account when selecting and installing the transformer.

5.5.2 Requirements for OT/DT Terminal

OT/DT terminals (not included in the delivery scope) are required for fixing AC cables to the terminal block. Purchase the OT/DT terminals according to the following requirements.

- Specification: M8;
- Dimensions: $a \leq 30\text{mm}$ / $8.4\text{mm} \leq b \leq 10.5\text{mm}$ / $c \leq 16\text{mm}$

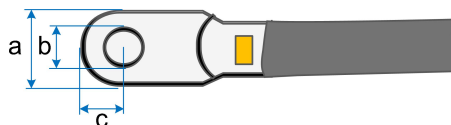


figure 5-2 Dimensions of Terminal

5.5.3 Aluminium Cable Requirements

If an aluminium cable is selected, use a copper to aluminium adapter terminal to avoid direct contact between the copper bar and the aluminium cable.

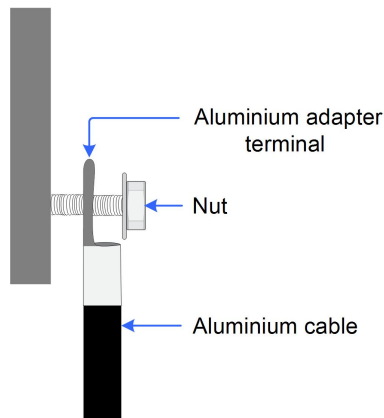


figure 5-3 Aluminium cable terminal connection sequence

NOTICE

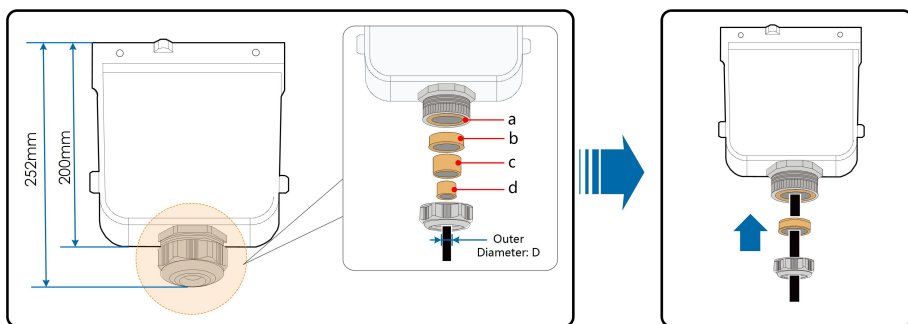
Ensure that the selected terminal can directly contact with the copper bar. If there are any problems, contact the manufacturer of terminal.

Direct contact between the copper bar and the aluminium cable will cause electrochemical corrosion and impair the reliability of electrical connection.

5.5.4 Connection Procedure

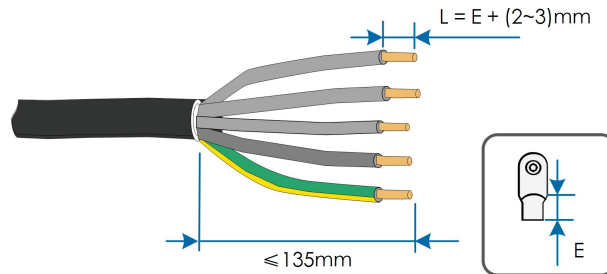
step 1 Disconnect the AC-side circuit breaker and prevent it from inadvertent reconnection.

step 2 Take out the AC junction box and loosen the swivel nut. Remove the seals and select an appropriate one according to cable outer diameter. Lead the cable through the swivel nut, seal, and junction box successively.

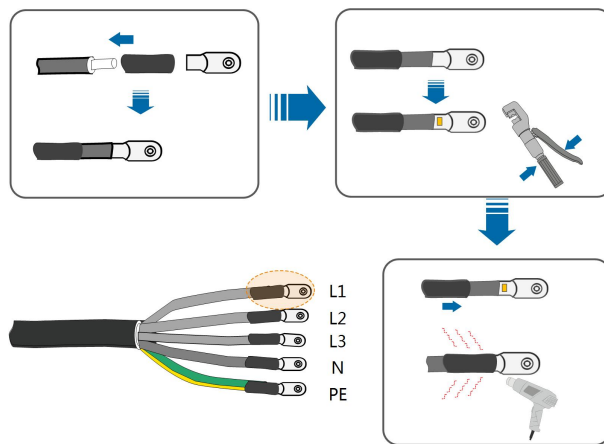


Outer diameter D(mm)	Seals
20~25	a+b+c+d
25~30	a+b+c
30~40	a+b
40~50	a

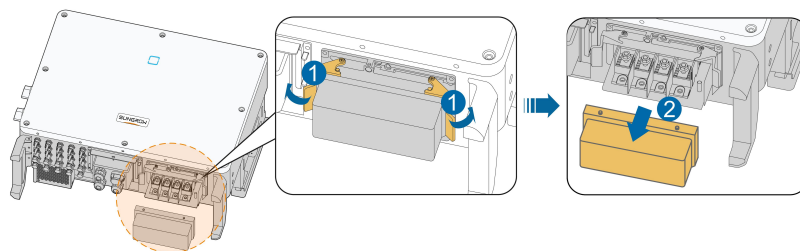
step 3 Strip the protection layer and insulation layer by specific length, as described in the figure below.



step 4 Make the cable and crimp OT terminal.



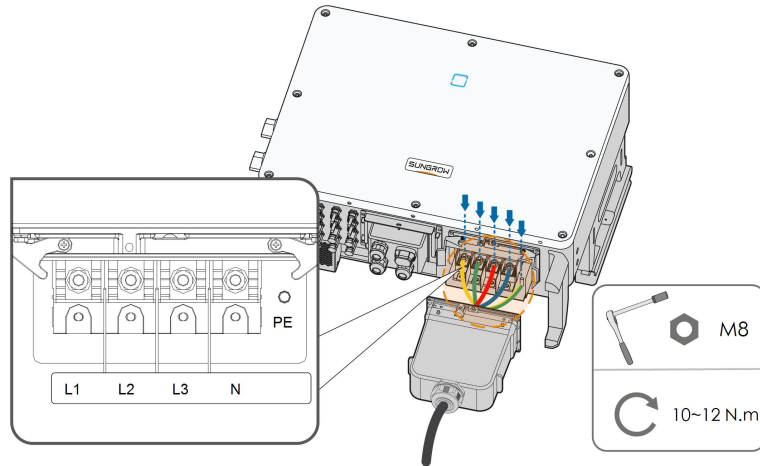
step 5 Unfasten the buckle and remove the protective cap.



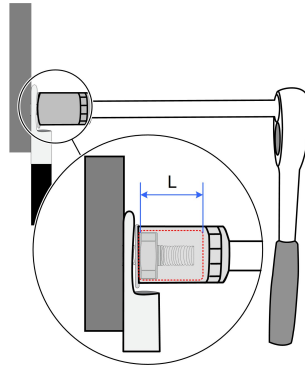
step 6 Secure the cable to corresponding terminals.

NOTICE

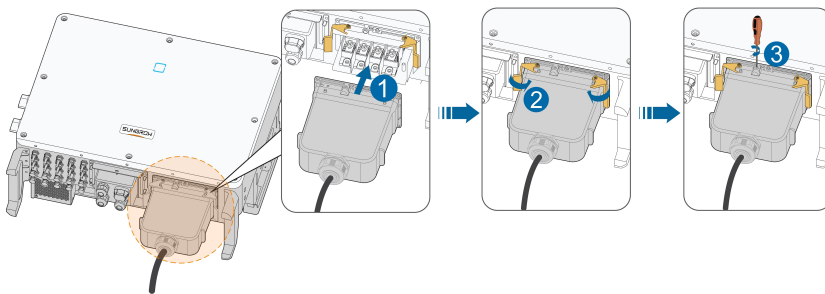
Observe the terminal layout on the block. Do not connect the phase wires to "PE" terminal or PE wire to "N" terminal. Otherwise, unrecoverable damage to the inverter may follow.



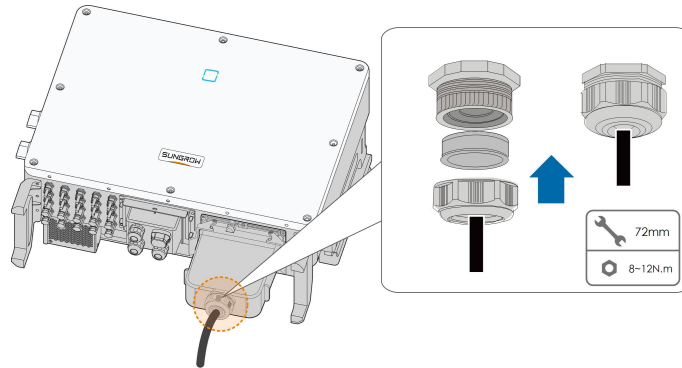
Ensure that the depth L of the socket used is not less than 18mm.



step 7 Secure the junction box, fasten the buckle, and secure it with supplied M4 × 10 screw.



step 8 Gently pull the cable backwards to ensure firm connection, and fasten the swivel nut clockwise.



-- End

5.6 DC Cable Connection

⚠ DANGER

Electric shock!

The PV array will generate lethal high voltage once exposed to sunlight.

⚠ CAUTION

Make sure the PV array is well insulated to ground before connecting it to the inverter.

NOTICE

There is a risk of inverter damage! The following requirements should be met. Failure to do so will void guarantee and warranty claims.

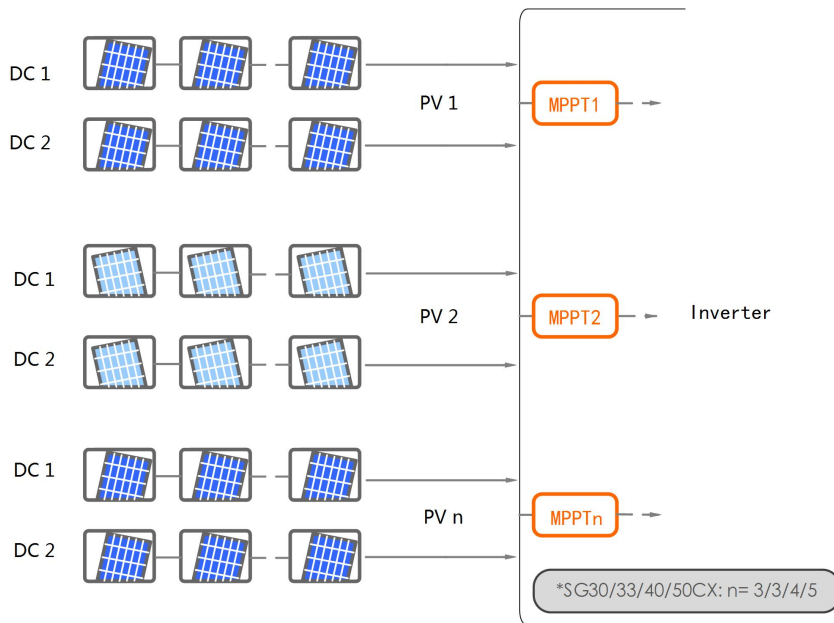
- Make sure the maximum voltage of each string is always less than 1100 V.
- The inverter enters the standby state when the input voltage ranges between 1,000V and 1,100V. The inverter returns to the running state once the voltage returns to the MPPT operating voltage range, namely, 200 to 1,000V.
- Make sure the maximum short circuit current on the DC side is within the permissible range.

5.6.1 PV Input Configuration

As shown in the figure below, the inverter is provided with multiple PV inputs: PV inputs 1~n (SG30/33/40/50CX: n=3/3/4/5); and each PV input is designed with an MPP tracker.

Each PV input operates independently and has its own MPPT. In this way, string structures of each PV input may differ from each other, including PV module type, number of PV modules in each string, angle of tilt, and installation orientation.

Each PV input area includes two DC inputs DC1 and DC2. For the best use of DC power, DC1 and DC2 should be the same in PV string structure, including the type, number, tilt, and orientation of the PV modules.



Type	Open circuit voltage limit	Max. current for input connector
SG30CX	1100V	30A
SG33CX	1100V	30A
SG40CX	1100V	30A
SG50CX	1100V	30A

5.6.2 Connection Procedure

SUNGROW provides corresponding plug connectors in the scope of delivery for quick connection of PV inputs.

DC cables should be connected to the inverter via PV connectors which are included in the scope of delivery.



To ensure IP66 protection, use only the supplied connector or the connector with the same ingress of protection.

⚠ DANGER

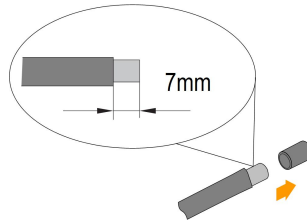
High voltage may be present in the inverter!

- Ensure all cables are voltage-free before performing electrical operations.
- Do not connect the AC circuit breaker before finishing electrical connection.

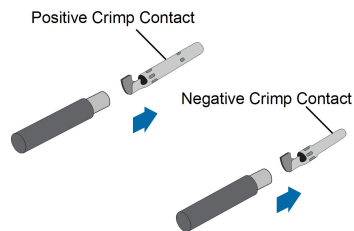
⚠ CAUTION

- Use MC4 DC terminals if the maximum input voltage is no more than 1,000V.
- Use MC4 – Evo2 DC terminals if the maximum input voltage is greater than 1,000V. To purchase the MC4 – Evo2 DC terminals, contact SUNGROW.
- Select appropriate DC terminals as required above. Otherwise, SUNGROW shall be held no liability for the damage caused.

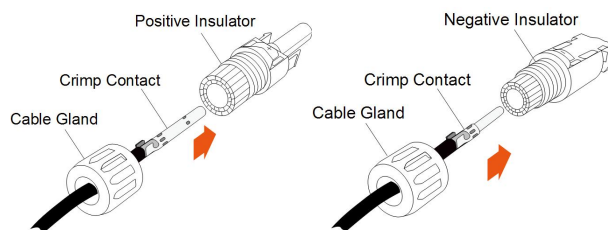
step 1 Strip the insulation from each DC cable by 7mm.



step 2 Assemble the cable ends with the crimping pliers.



step 3 Lead the cable through cable gland, and insert into the insulator until it snaps into place. Gently pull the cable backward to ensure firm connection. Tighten the cable gland and the insulator (torque 2.5 N.m to 3 N.m).



step 4 Check for polarity correctness.

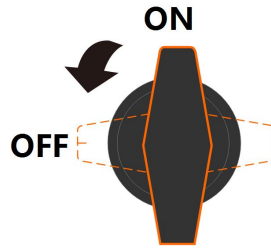
NOTICE

The inverter will not function properly if any PV polarity is reversed.

-- End

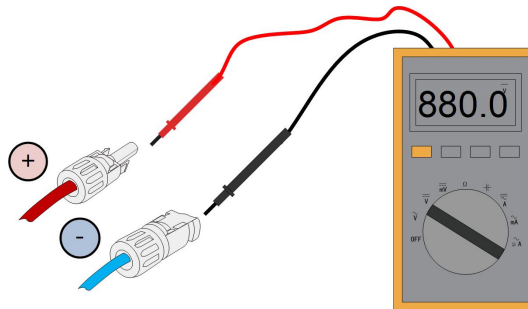
5.6.3 Installing the PV Connectors

step 1 Rotate all the DC switches to "OFF" position.



Skip performing step1 when the actual device is not equipped with DC switches.

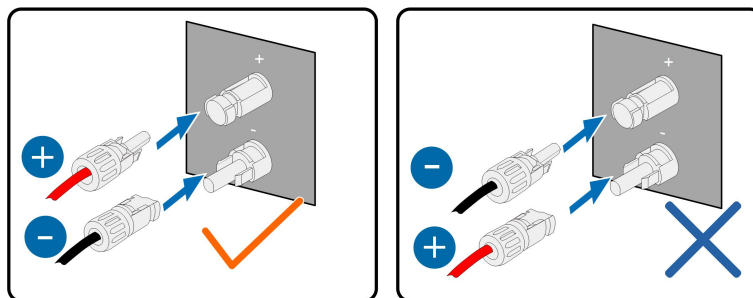
step 2 Check the cable connection of the PV string for polarity correctness and ensure that the open circuit voltage in any case does not exceed the inverter input limit of 1,100V.



step 3 Connect the PV connectors to corresponding terminals until there is an audible click.

NOTICE

Check the positive and negative polarity of the PV strings, and connect the PV connectors to corresponding terminals only after ensuring polarity correctness.



Arc or contactor over temperature may occur if the PV connectors are not firmly in place, and SUNGROW shall not be held liable for any damage caused.

step 4 Follow the foregoing steps to connect PV connectors of other PV strings.

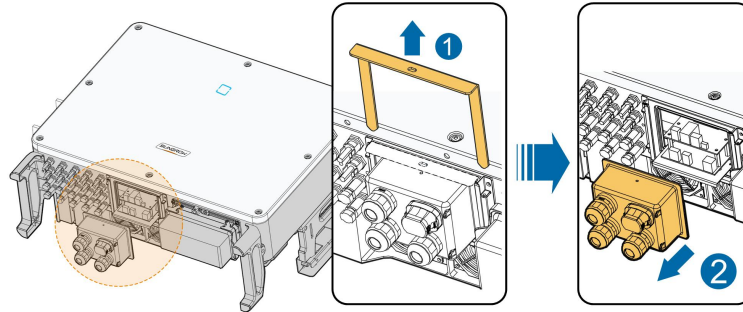
step 5 Seal the unused PV terminals with the terminal caps.

-- End

5.7 Communication Junction Box

5.7.1 Remove the Junction Box

step 1 Pull out the pin and keep it properly, remove the junction box.

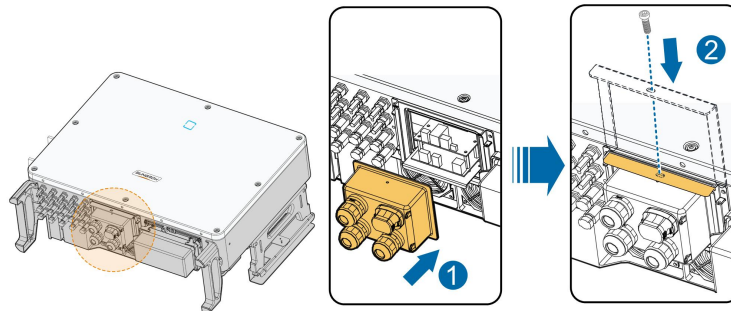


The pin removed is a required accessory for fixing the junction box. Store it properly and protect it against missing or deformation.

-- End

5.7.2 Install the Junction Box

step 1 Remount the wiring box and press it tightly, insert the pin, and secure the wiring box with the supplied M4 × 25 screw.



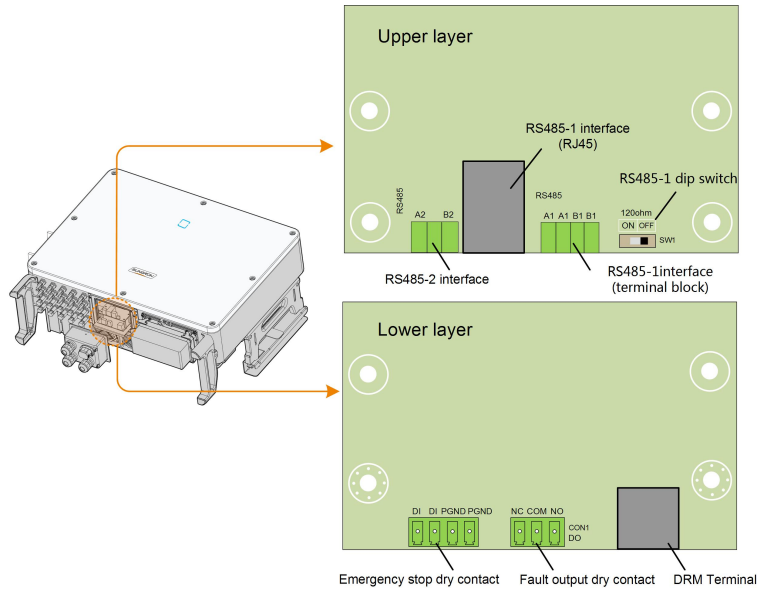
During installation, press the junction box forcibly to ensure that the pin can be inserted successfully.

Never hit the pin with a heavy object, such a hammer. Otherwise, it will be irrecoverably.

-- End

5.8 Communication Wiring Board

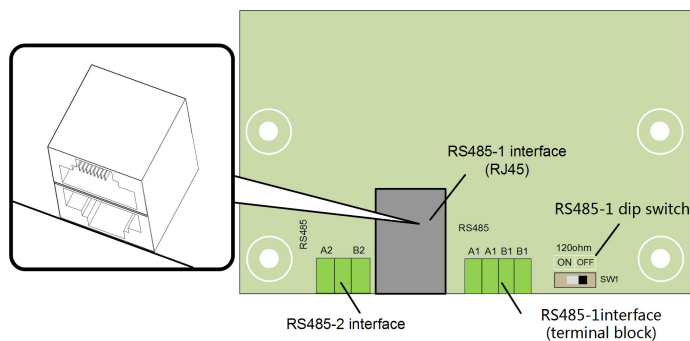
The communication board of the inverter includes two layers. The upper layer communication board mainly includes RS485 communication interfaces while The lower layer communication board mainly includes DI/DO interface and DRM interface.



5.9 RS485 Communication

5.9.1 Interface Description

As shown in the figure below, the inverter is equipped with three RS485 communication interfaces and one dip switch.



All the three interfaces can be connected to a data acquisition device (Logger), to achieve data exchange with PC or other monitoring devices.

The RS485-2 interface can only be applied to the application scenario of single inverter communication.

The RS485-1 terminal block and the RJ45 interface can be applied to applications where multiple inverters communicate in a daisy-chain form.

A 120Ω resistor can be connected in parallel between RS485-1 A/B pins by configuring the dip switch.

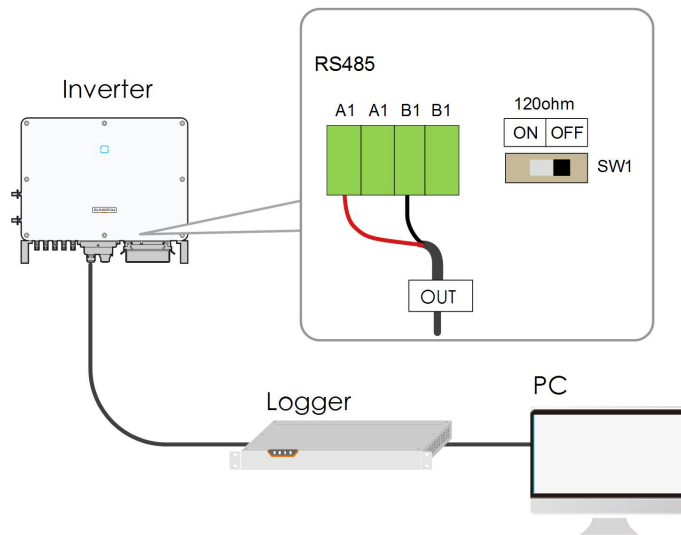
NOTICE

RS485-1 terminal block interface and RJ45 interface serve as the same function with wiring manner different.

5.9.2 RS485 Communication System

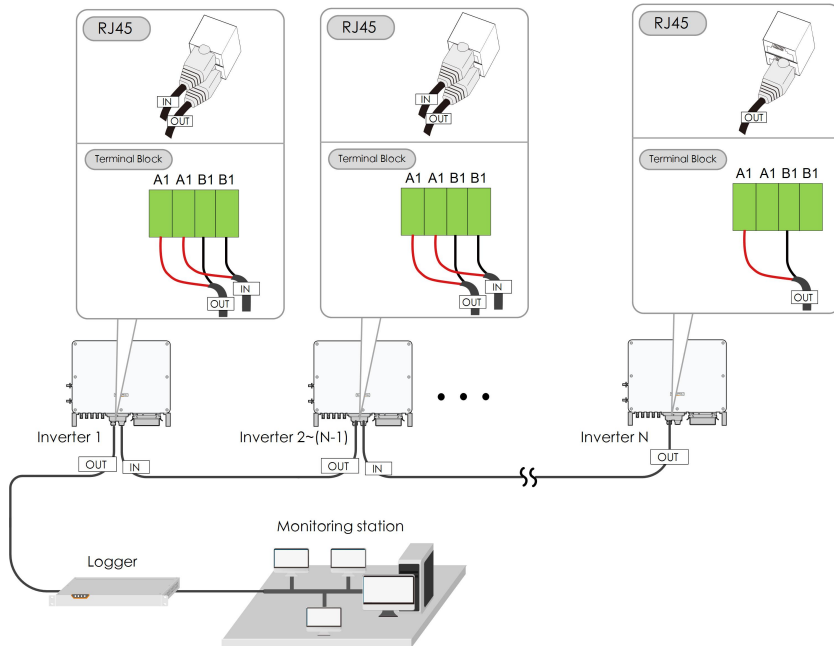
Single-inverter communication system

In case of a single inverter, communication cable connection requires only one RS485 cable.



Multi-inverter communication system

In case of multiple inverters, all the inverters can be connected via RS485 cables in the daisy chain manner.



When more than 15 inverters are connected on the same daisy chain, the inverters on two ends of the chain should be equipped with terminal resistors of 120Ω to ensure communication quality by configuring the dip switch (SW1), and the shielding layer of the communication cable should be single-point grounded.

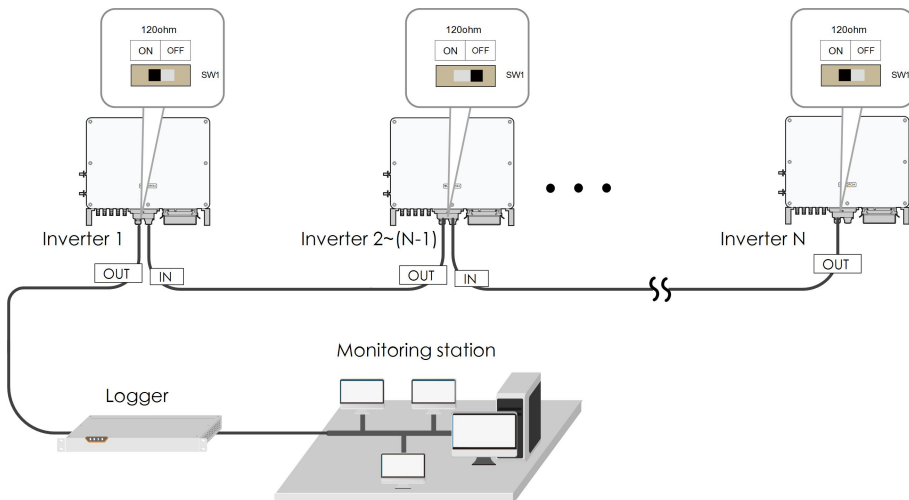


figure 5-4 Configuration of dip switch ($N \geq 15$)

The length of the RS485 cable should be no longer than 1,200m.

If multiple inverters are connected to the data collector Logger3000, the number of permissible daisy chains and the number of devices allowed to be connected should meet the requirements (refer to the user manual for the Logger3000).



5.9.3 Connection Procedure(Terminal Block)

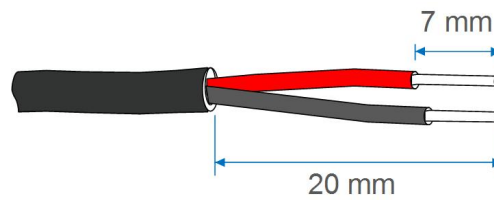


RS485 communication cables should be shielded twisted pair cables or shielded twisted pair Ethernet cables.

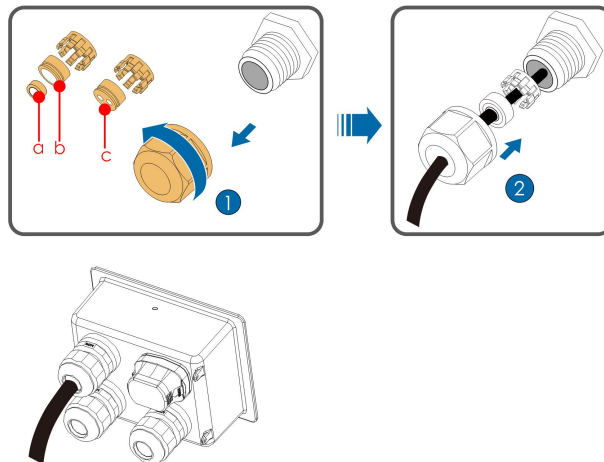
There are three communication terminals, and the silkscreen marks are COM1/COM3/COM4. Please choose according to the actual situation.

step 1 Remove the communication junction box, see "5.7.1 Remove the Junction Box".

step 2 Strip the protection layer and insulation layer by appropriate length.

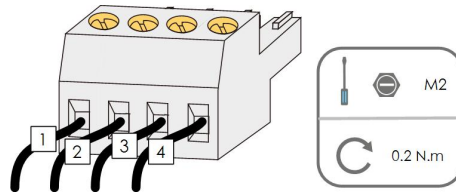


step 3 Loosen the swivel nut of the junction box and select an appropriate seal according to cable outer diameter. Lead the cable through the swivel nut, seal, and junction box successively.



Outer diameter D(mm)	Seal
4.5~6	c
6~12	a+b
12~18	b

step 4 Secure the cable to the terminal base.



step 5 Insert the terminal base into the corresponding terminal.

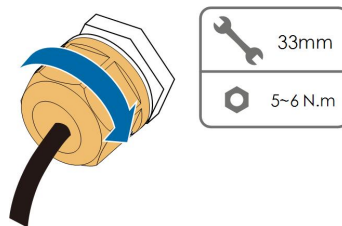
table 5-3 Terminal definition

No	Definition
1	RS485 A IN, RS485A differential signal+
2	RS485 A OUT, RS485A communication signal+
3	RS485 B IN, RS485B differential signal-
4	RS485 B OUT, RS485B communication signal-

step 6 If other wiring operations need to be performed on the communication board, finish the wiring operations before performing the following steps. If otherwise, continue to perform the following steps.

step 7 Install the junction box, see "[5.7.2 Install the Junction Box](#)".

step 8 Pull the cable gently to make sure it is secured, tighten the swivel nut clockwise.

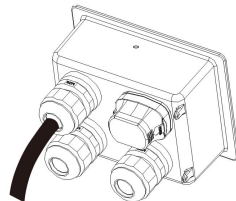
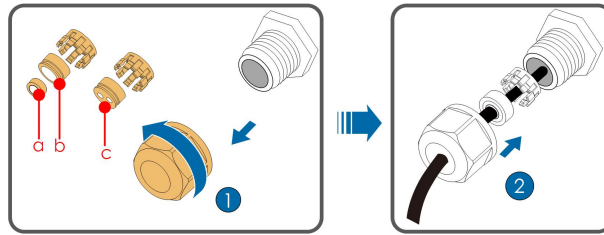


-- End

5.9.4 Connection Procedure (RJ45 network port)

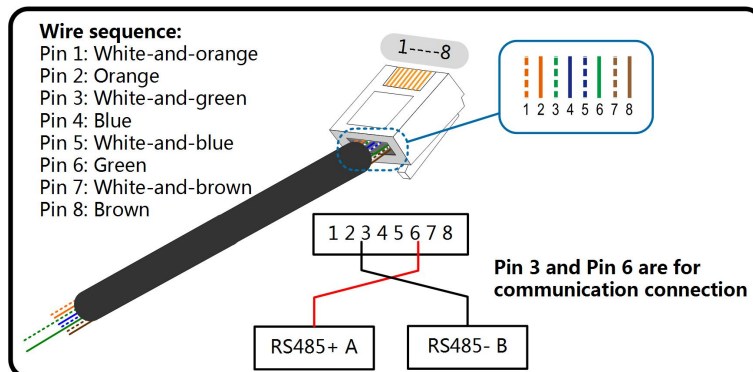
step 1 Remove the communication junction box, see "[5.7.1 Remove the Junction Box](#)".

step 2 Loosen the swivel nut of the junction box and select an appropriate seal according to cable outer diameter. Lead the cable through the swivel nut, seal, and junction box successively.

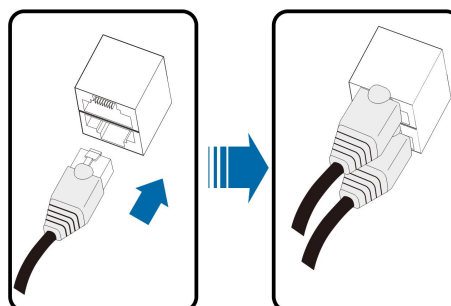


Outer diameter D(mm)	Seal
4,5~6	c
6~12	a+b
12~18	b

step 3 Strip the insulation layer of the Ethernet cable with a wire stripper, and insert the signal wires to the RJ45 connector. Crimp the RJ45 connector with a crimping tool.



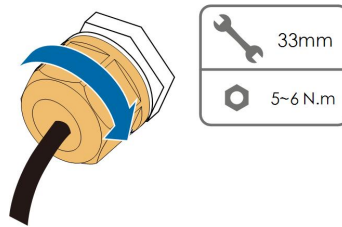
step 4 Insert the RJ45 connector to the RJ45 jack.



step 5 If other wiring operations need to be performed on the communication board, finish the wiring operations before performing the following steps. If otherwise, continue to perform the following steps.

step 6 Install the junction box, see "5.7.2 Install the Junction Box".

step 7 Pull the cable gently to make sure it is secured, tighten the swivel nut clockwise.



-- End

5.10 Dry Contact Connection

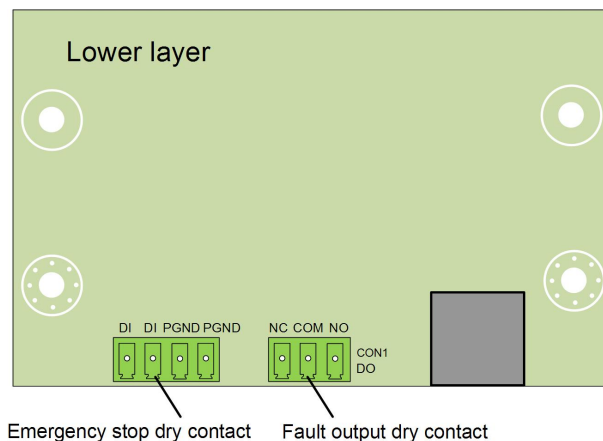
NOTICE

Dry contact cables require a cross section of 1 mm² to 1.5 mm².
The connection procedure of the dry contact is the same as that of the RS485 terminal block.

5.10.1 Dry Contact Function

The configuration circuit board is provided with fault output dry contact and emergency stop dry contact, as shown in the figure below.

Connection method of the dry contacts is similar to that of the RS485 terminal block.



DO terminal (fault output dry contact): the relay can be set to fault alarm output, and user can configure it to be a normal open contact (COM&NO) or a normal close contact (COM&NC).

The relay is initially at the NC terminal, and it will trip to another contact when a fault occurs.

Use LED indicators or other equipment to indicate whether the inverter is in the faulty state. The following figures show the typical applications of normal open contact and normal close contact:

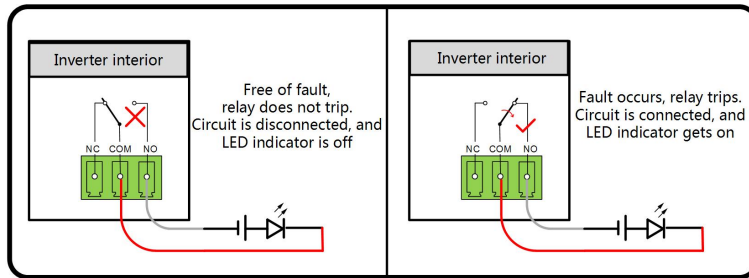


figure 5-5 Normal open contact

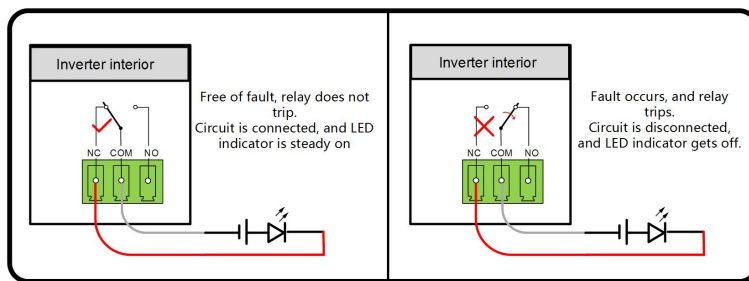


figure 5-6 Normal close contact

Devices connected to the relay should comply with related requirements:

AC-Side Requirements	DC-Side Requirements
Max. voltage: 250Vac	Max. voltage: 30Vdc
Max. current: 5A	Max. current: 5A

DI terminal (emergency stop dry contact): the dry contact can be configured to be an emergency stop contact.

When the DI contact and GND contact are shorted by external controlled switch, the inverter will immediately stop.



The dry contacts only support passive switch signal input.

The following figure shows the typical application of local stop dry contact.

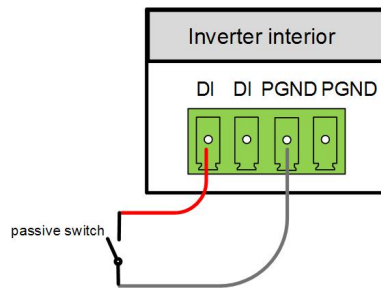


figure 5-7 Local stop contact

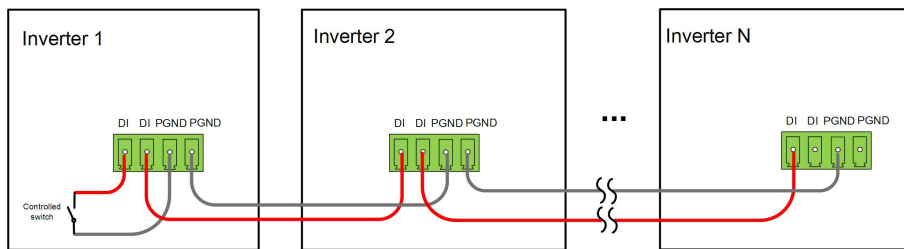


figure 5-8 Daisy chain topology

When wiring DI dry contacts, ensure that the maximum wiring distance meet the requirements in "10.2 Wiring Distance of DI Dry Contact".

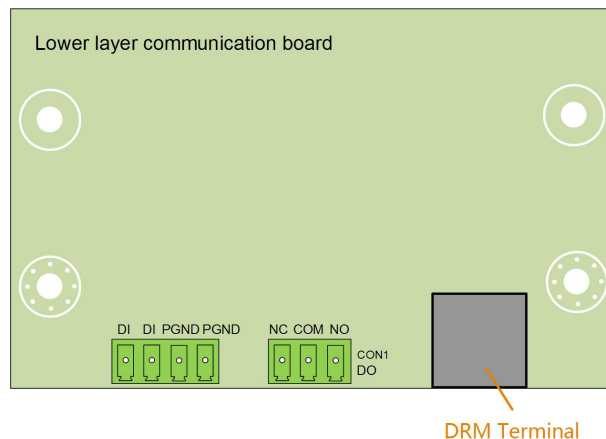
5.10.2 Wiring Procedure

Refer to the wiring of terminal block described in chapter 5.9.3 Connection Procedure

5.11 DRM Connection

5.11.1 DRM Function

The inverter supports the demand response modes as specified in the standard AS/NZS 4777. The inverter has integrated a terminal for connecting to a DRED. After the connection, the method of asserting DRMs as specified in Tab. 5-4.



The mode DRM0 is supported by the inverter.

table 5-4 Method of Asserting DRMs

Mode	Method of Asserting
	Asserted by shorting pins 5 and 6
DRM0	Asserted when the impedance between pins 5 and 6 is detected to be above 20kΩ

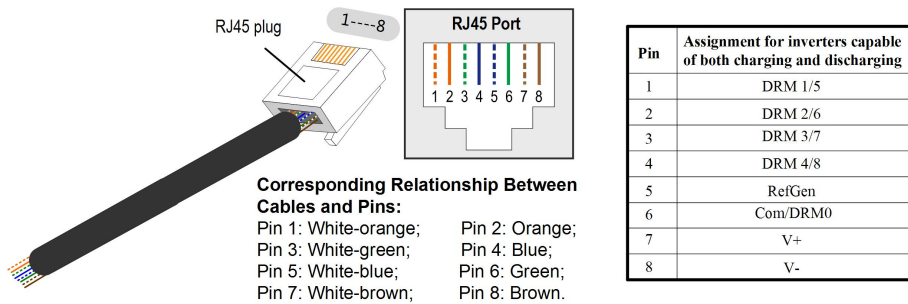


The DRM function is only applicable to devices for Australia and New Zealand. Enable the DRM function through the iSolarCloud App. If there are any problems, contact SUNGROW.

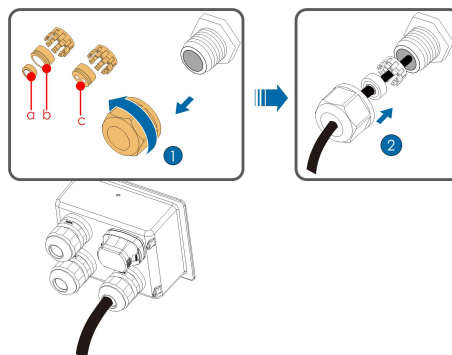
5.11.2 Connection Procedure

step 1 Remove the communication junction box, see "5.7.1 Remove the Junction Box".

step 2 Strip the insulation layer of the Ethernet cable with a wire stripper, and insert the signal wires to the RJ45 connector. Crimp the RJ45 connector with a crimping tool.

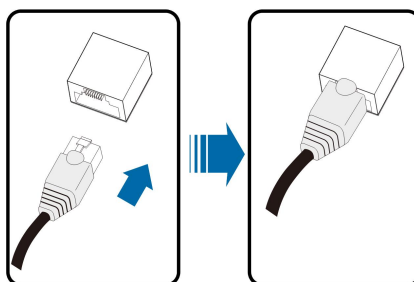


step 3 Loosen the swivel nut of the junction box and select an appropriate seal according to cable outer diameter. Lead the cable through the swivel nut, seal, and junction box successively.



Outer diameter D (mm)	Seal
4.5~6	c
6~12	a+b
12~18	b

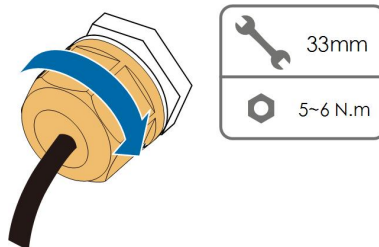
step 4 Insert the RJ45 connector to the RJ45 jack.



step 5 If other wiring operations need to be performed on the communication board, finish the wiring operations before performing the following steps. If otherwise, continue to perform the following steps.

step 6 Install the junction box, see "[5.7.2 Install the Junction Box](#)".

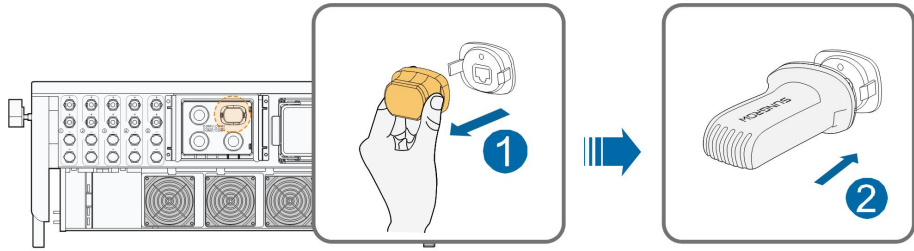
step 7 Pull the cable gently to make sure it is secured, tighten the swivel nut clockwise.



-- End

5.12 Communication Module Connection (optional)

Connect the communication module produced by SUNGROW, such as Eye, WiFi, or E-Net to the communication accessory port. After successful connection, information such as power generation and running state of the inverter can be viewed via the App on the phone.



*The image shown here is for reference only. The actual product you receive may differ.

NOTICE

The communication module and the RS485 communication are not available at the same time. Otherwise, communication failure or other problems can be caused.



For details on module installation and configuration, refer to the manual delivered together with the module.

6 Commissioning

6.1 Inspection before Commissioning

Check the following items before starting the inverter:

- The inverter DC switch and external circuit breaker are disconnected.
- The inverter should be accessible for operation, maintenance and service.
- Nothing is left on the top of the inverter.
- The inverter is correctly connected to the external devices, and the cables are routed in a safe place or protected against mechanical damage.
- The selection of the AC circuit breaker is in accordance with this manual and all applicable local standards.
- All unused terminals at the bottom of the inverter are properly sealed.
- Warning signs & labels are suitably affixed and durable.

6.2 Commissioning Procedure

If all of the items mentioned above meet the requirements, proceed as follows to start up the inverter for the first time.

step 1 Rotate the DC switch of the inverter to "ON" position.

step 2 Connect the AC switch (if applicable) between the inverter and the grid.

step 3 Connect the DC switch (if applicable) between the inverter and the PV string.

step 4 Set initial protection parameters via the iSolarCloud App. For details, please refer to "7.4.2 Login Steps" . If the irradiation and grid conditions meet requirements, the inverter will normally operate.

step 5 Observe the LED indicator to ensure that the inverter operates normally. (Refer to Tab. 2-2LED indicator description).

-- End

7 iSolarCloud App

7.1 Brief Introduction

The iSolarCloud App can establish communication connection to the inverter via the Bluetooth, thereby achieving near-end maintenance on the inverter. Users can use the App to view basic information, alarms, and events, set parameters, or download logs, etc.

*In case the communication module Eye or WiFi is available, the iSolarCloud App can also establish communication connection to the inverter via the mobile data or WiFi, thereby achieving remote maintenance on the inverter.



This manual describes only how to achieve near-end maintenance via the Bluetooth connection. For remote maintenance through the Eye or WiFi, refer to the related manuals in the delivery scope.

Screenshots in this manual are based on the Android system V2.1.6, and the actual interfaces may differ.

7.2 Download and Install

Method 1

Download and install the App through the following application stores:

- MyApp (Android, mainland China users)
- Google Play (Android, users other than mainland China ones)
- App store (iOS)

Method 2

Scan the following QR code to download and install the App according to the prompt information.



The App icon appears on the home screen after installation.



7.3 Login

7.3.1 Requirements

The following items should meet requirements:

- The AC and DC sides or the AC side of the inverter is powered-on.
- The mobile phone is within 5m away from the inverter and there are no obstructions in between.
- The Bluetooth function of the mobile phone is enabled.

7.3.2 Login Steps

step 1 Open the App to enter the login page, click on "Local Access" at the bottom of the page to go to the next page.

step 2 Click on "Bluetooth", after which the Bluetooth search screen pops up automatically, and select the to-be-connected inverter according to the SN on the nameplate of the inverter. The Bluetooth indicator gets on once the connection is established. Alternatively, tap "QR" to scan the QR code on the side of the inverter to establish Bluetooth connection.

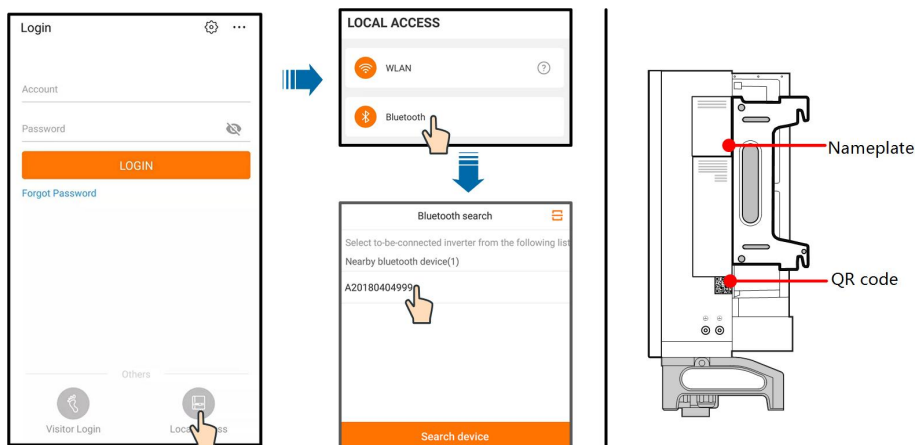


figure 7-1 Bluetooth connection

step 3 Enter the login screen after the Bluetooth connection is established.

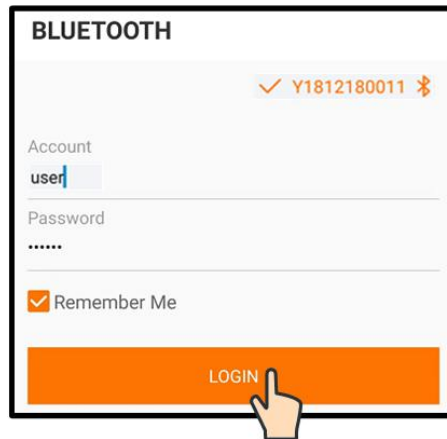


figure 7-2 Login



The username is “user”, and the initial password is "pw1111" or "111111" which should be changed for the consideration of account security.

To set inverter parameters related to grid protection and grid support, contact SUNGROW to obtain the advanced account and corresponding password.

step 4 If the inverter is not initialized, you will enter the quick setting screen of initialize protection parameter. After finishing setting on the quick setting screen, click “Boot” and the device will be initialized. The App will send start instructions and the device will start and operate.

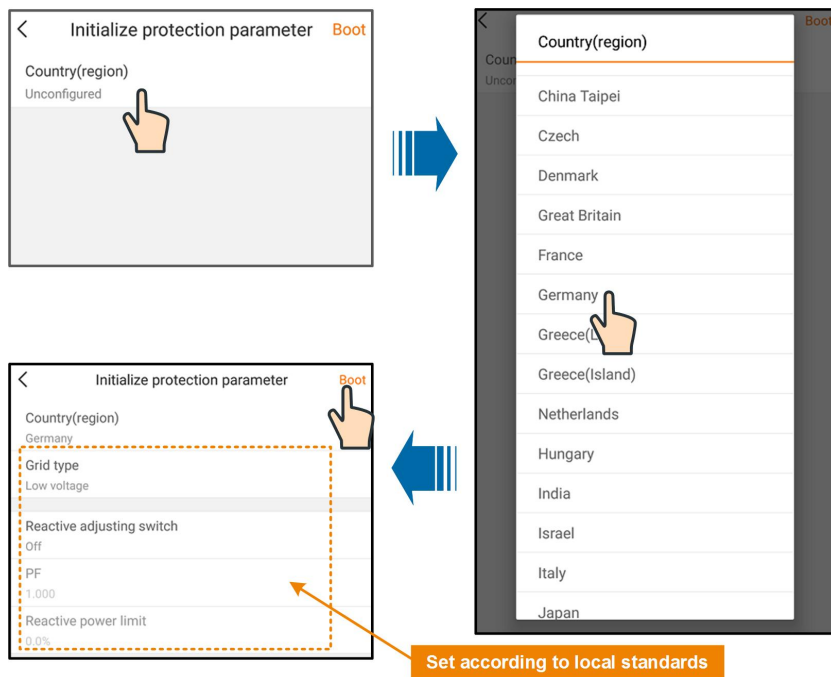


figure 7-3 Initialization protection parameter

NOTICE

Reset the protection parameters if the country setting is incorrect. Otherwise, fault may occur.



In the European region, such as Netherlands, Sweden, Denmark, whose grid code complies with EN50549, select the parameter EN50549_1 (LV grid-connection) or EN50549_2 (MV grid-connection).

In the Brazilian region, set the country code to "Brazil". Selecting "Brazil_230" or "Brazil_240" will cause setting failure.

step 5 If the inverter is initialized, the App automatically turns to its home page.

-- End

7.4 Function Overview

The App provides parameter viewing and setting functions, as shown in the following "figure 7-4 App function tree map".

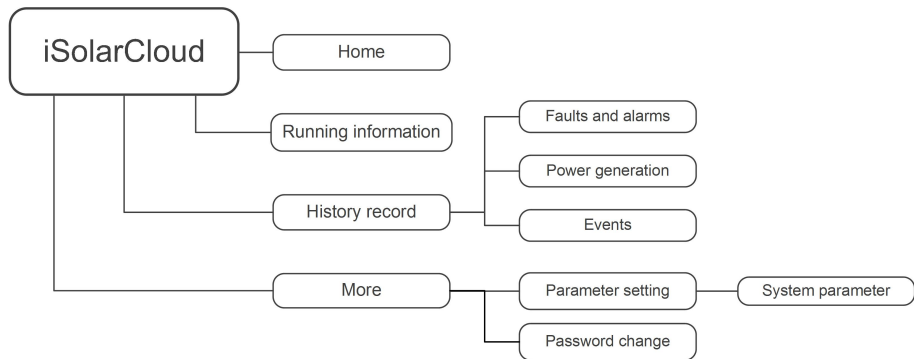


figure 7-4 App function tree map

7.5 Home page

After login, the home page is as follows:

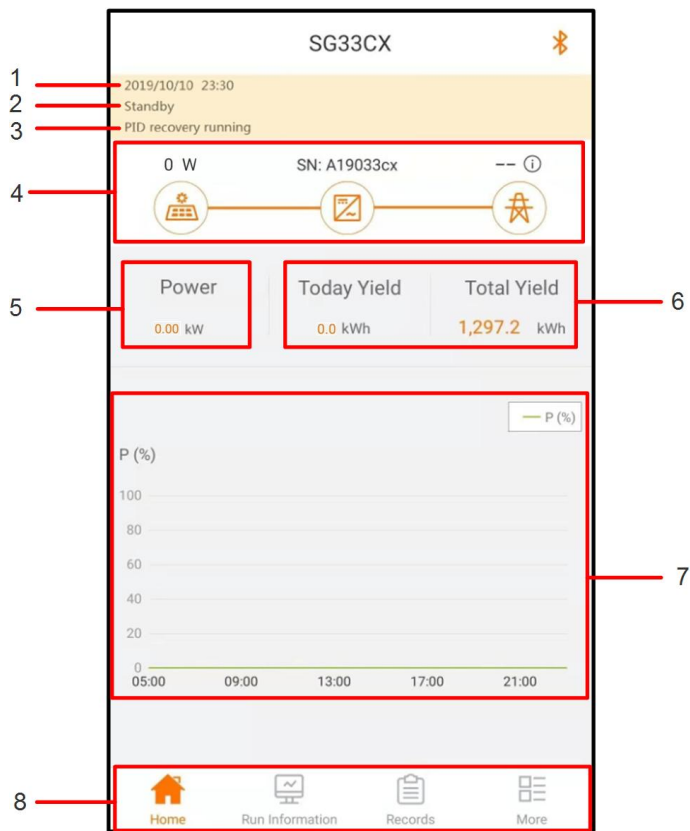


figure 7-5 Home page

table 7-1 Home page description

No.	Designation	Description
1	Date and time	System date and time of the inverter
2	Inverter state	Present operation state of the inverter For details, refer to Tab. 7-2Description of inverter state.
3	PID function state	Present state of the PID function For details, refer to Tab. 7-3Description of PID function state
4	Power flow chart	Display the PV power generation power, feed-in power, etc. The line with an arrow indicates energy flow between connected devices, and the arrow pointing indicates energy flow direction.
5	Power generation	Today power yield and accumulative power yield of the inverter
6	Real-time power	Output power of the inverter


No.	Designation	Description
7	Power curve	Curve showing change of power between 5 am and 23 pm every day (Each point on the curve represents the percentage of present inverter power to rated power)
8	Navigation bar	Including "Home", "Run-info", "His-record", and "More"

table 7-2 Description of inverter state


State	Description
Run	After being energized, inverter tracks the PV arrays' maximum power point (MPP) and converts the DC power into AC power. This is the normal operation mode.
Stop	Inverter is stopped.
Key-stop	Inverter will stop operation by manually "stop" via app. In this way, inverter internal DSP stops. To restart the inverter, manually start via app.
Standby	Inverter enters standby mode when DC side input is insufficient. In this mode inverter will wait within the standby duration.
Initial standby	The inverter is in the initial power-on standby state.
Starting	The inverter is initializing and synchronizing with the grid.
Warning	Warning information is detected.
Derating running	The inverter derates actively due to environmental factors such as temperature or altitude
Scheduling running	The inverter runs according to the scheduling instructions received from the monitoring background
Fault	If a fault occurs, inverter will automatically stop operation, and disconnect the AC relay. The fault information will be displayed in the app. Once the fault is removed in recovery time, inverter will automatically resume running.

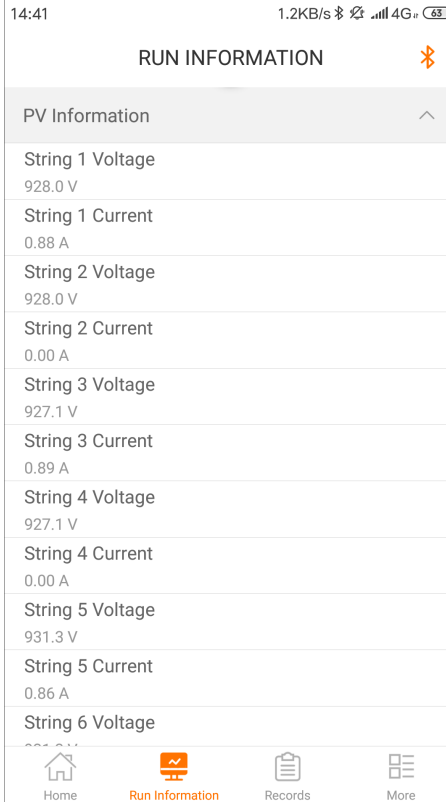
table 7-3 Description of PID function state

State	Description
PID recovery running	The inverters perform PID recovery actively.
PID abnormality	It is detected that the ISO impedance is abnormal or the PID function cannot work normally after the PID function enabled.

If the inverter is running abnormally, the alarm or fault icon  will be displayed in the lower right corner of the inverter icon in power flow chart. The user can tap this icon to enter the alarm or fault screen to view detailed information and corrective measures.

7.6 Running Information

Tap  "Run Information" on the navigation bar to enter the running information screen, as shown in the following figure.



PV Information	
String 1 Voltage	928.0 V
String 1 Current	0.88 A
String 2 Voltage	928.0 V
String 2 Current	0.00 A
String 3 Voltage	927.1 V
String 3 Current	0.89 A
String 4 Voltage	927.1 V
String 4 Current	0.00 A
String 5 Voltage	931.3 V
String 5 Current	0.86 A
String 6 Voltage	

figure 7-6 Running Information


The run information includes the PV information, inverter information, input and output information.

table 7-4 Run information

Classification	Parameter	Description
PV Information	String n Voltage	The input voltage of the n th string
	String n Current	The input current of the n th string
Inverter Information	Total On-grid Running Time	/
	Daily On-grid Running Time	/
	Negative Voltage to Ground	Inverter DC side negative to ground voltage value

Classification	Parameter	Description
	Bus Voltage	Voltage between the positive and negative poles of the DC side of the inverter
	Internal Air Temperature	/
	Array Insulation Resistance	Insulation resistance value of the input side to the protection ground
	Country Information	/
	Power Limitation Mode	/
	Reactive Power Mode	/
	Input	Total DC Power
MPPT x Voltage		The input voltage of the x th MPPT
MPPT x Current		The input current of the x th MPPT
Output	Daily Yield	/
	Monthly Yield	/
	Annual Yield	/
	Total Active Power	Current active power value of the inverter
	Total Reactive Power	Current reactive power value of the inverter
	Total Apparent Power	Current apparent power value of the inverter
	Total Power Factor	Power factor of the AC side of the inverter
	Gird Frenquency	Frequency of the AC side of the inverter
	A-B Line Voltage	Line Voltage
	B-C Line Voltage	
	C-A Line Voltage	
Phase A Current	Phase Current	
Phase B Current		
Phase C Current		

7.7 History Record

Tap " " on the navigation bar to enter the history record screen, as shown in the following figure.

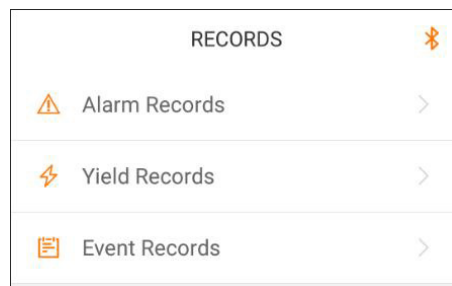


figure 7-7 History record

On "history record" screen, users can check the alarm records, power yield records and event records.

7.7.1 Fault Alarm Records

Tap "⚠ Alarm records" to view fault and alarm records, as shown in the following figure.

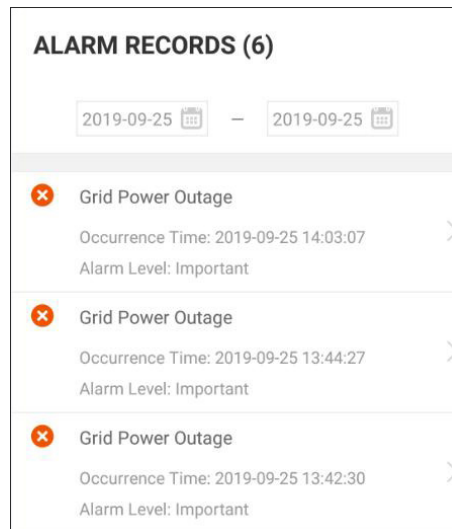


figure 7-8 Fault and alarm records



- Click "📅" to select a time segment and view corresponding records.
- The inverter can record up to 400 latest entries.

Select one of the records in the list and click the record, to view the detailed fault info as shown in following figure.

GRID POWER OUTAGE

Alarm Level: Important

Occurrence Time: 2019-09-25 14:03:07

Alarm ID: 10

Repair Advice

Generally, the device is reconnected to the grid after the grid recovers to normal. If the fault occurs repeatedly:

1. Check if the grid power supply is normal;
2. Check if AC cables are all firmly connected.
3. Check if AC cables are connected to the correct terminals (with or without live line and reverse connection).
4. If the fault still exists, please contact the inverter manufacturer. The contact information can be found in the inverter manual or by visiting the manufacturer official website.

figure 7-9 Detailed fault alarm info

7.7.2 Power Yields Records

User can view various energy records: power curve, daily energy histogram, daily energy histogram, monthly energy histogram, and annual energy histogram.

table 7-5 Explanation of power yields records

Parameter	Description
Power curve	Show the power output from 5 am to 11 pm in a single day. Each point in the curve is the percentage of present power and nominal power.
Daily energy histogram	Shows the power output every day in the present month.
Monthly energy histogram	Shows the power output every month in a year.
Annual energy histogram	Shows the power output every year.

Click the “ ⚡ Energy records ” to view the power curve page as shown in following figure.

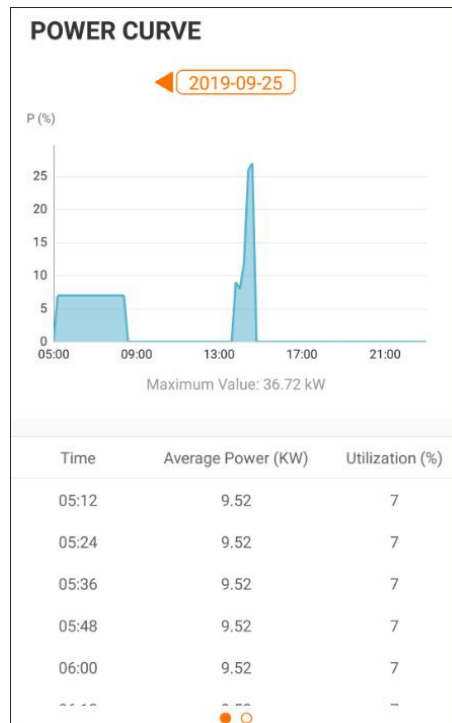




figure 7-10 Power Curve


Tap the time bar  on the top of the screen to select a time segment and view the corresponding power curve.

Swipe left to check the power yields histogram


7.7.3 Event Records

Click  "Event record" to view event record list.



- Click  to select a time segment and view corresponding event records.
- The inverter can at most record the latest 400 events.

7.8 More

Tap  on the navigation bar to enter the "More" screen, as shown in the following figure.

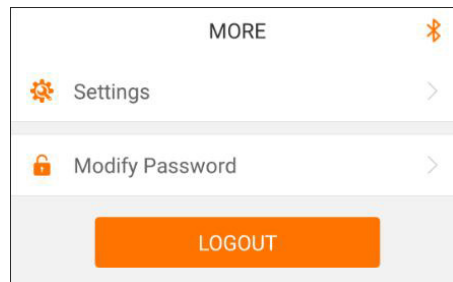


figure 7-11 More

7.8.1 Parameter Setting

Tap "  Settings " to enter the parameter setting screen, as shown in the following figure.

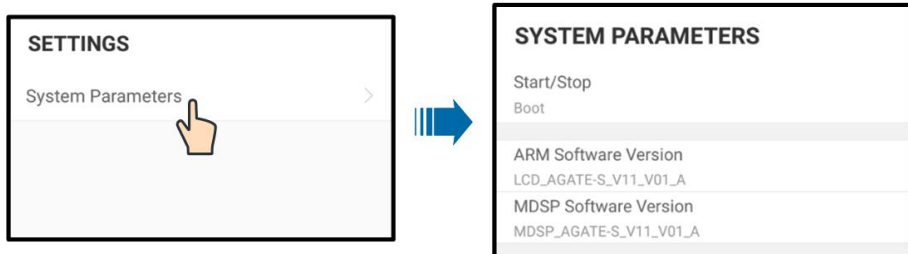



figure 7-12 Parameter setting

Tap " System parameter " to enter the system parameter screen on which start/stop instruction can be sent to the inverter and information such as ARM version and MDSP version can be viewed.

7.8.2 Password Changing

Tap "  Modify Password " to enter the modify password screen, as shown in the following figure.

MODIFY PASSWORD

Enter a new password. Setting this password will overwrite the previous password.

The password shall consist of 8-20 digits, including letters and numbers.

user

.....

.....

.....

Confirm

figure 7-13 Change password

The password shall consist of 8 – 20 digits, including letters and numbers.

8 System Decommissioning

8.1 Disconnecting the Inverter

For maintenance or other service work, the inverter must be switched off.

Proceed as follows to disconnect the inverter from the AC and DC power sources. Lethal voltages or damage to the inverter will follow if otherwise.

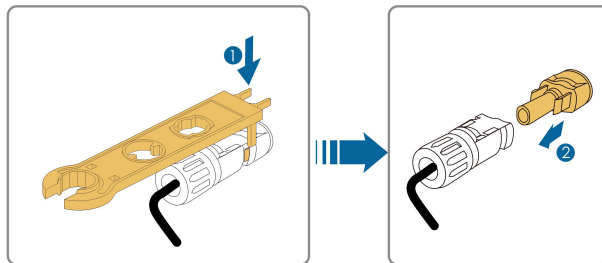
step 1 Disconnect the external AC circuit breaker and secure it against reconnection.

step 2 Rotate the DC switches to the “OFF” position for disconnecting all of the PV string inputs .

step 3 Wait about 5 minutes until the capacitors inside the inverter completely discharge.

step 4 Ensure that the DC cable is current-free via a current clamp.

step 5 Insert a MC4 wrench into the notch and press the wrench with an appropriate force to remove the DC connector.



step 6 Ensure that the AC wiring terminals are voltage-free via a multimeter, and remove the AC wires and communication wires.

step 7 Install the MC4 waterproof plugs.



For further disconnection and reconnection instructions, please visit the webpage of respective component manufacturer.

-- End

8.2 Dismantling the Inverter

CAUTION

Risk of burn injuries and electric shock!

- Do not touch any inner live parts until at least 5 minutes after disconnecting the inverter from the utility grid and the PV input.

- step 1** Refer to "[5 Electrical Connection](#)" for the inverter disconnection of all cables in reverse steps.
- step 2** Dismantle the inverter referring to "[4 Mechanical Mounting](#)" in reverse steps.
- step 3** If necessary, remove the wall-mounting bracket from the wall.
- step 4** If the inverter will be reinstalled in the future, please refer to "[3.4 Inverter Storage](#)" for a proper conservation.
- End

8.3 Disposal of the Inverter

Users take the responsibility for the disposal of the inverter.

NOTICE

Some parts and devices of the inverter, such as the capacitors, may cause environmental pollution.

Do not dispose of the product together with household waste but in accordance with the disposal regulations for electronic waste applicable at the installation site.

9 Troubleshooting and Maintenance

9.1 Troubleshooting

Once a fault occurs in the inverter, the fault information can be displayed on the App interface.

Fault codes and check methods are as follows:

Fault code	Description	Check method
002	Grid overvoltage, The grid voltage is higher than the set protection value	Generally, the inverter will be reconnected to the grid after the grid returns to normal. If the fault occurs repeatedly: <ol style="list-style-type: none">1. Measure the actual grid voltage, and contact the local electric power company for solutions if the grid voltage is higher than the set value.2. Check whether the protection parameters are appropriately set via the App or the LCD.3. Check whether the cross-sectional area of the AC cable meets the requirement.4. If the fault is not caused by the foregoing reasons and still exists, contact SUNGROW.
003	Grid transient overvoltage, The transient grid voltage is higher than the standard value.	Generally, the inverter will be reconnected to the grid after the grid returns to normal. If the fault occurs repeatedly, contact SUNGROW.

Fault code	Description	Check method
004	Grid undervoltage, The grid voltage is lower than the set protection value	<p>Generally, the inverter will be reconnected to the grid after the grid returns to normal. If the fault occurs repeatedly:</p> <ol style="list-style-type: none"> 1. Measure the actual grid voltage, and contact the local electric power company for solutions if the grid voltage is lower than the set value. 2. Check whether the protection parameters are appropriately set via the App or the LCD. 3. Check whether the AC cable is firmly in place. 4. If the fault is not caused by the foregoing reasons and still exists, contact SUNGROW.
005	Grid low voltage, The grid voltage is lower than the set protection value	<p>Generally, the inverter will be reconnected to the grid after the grid returns to normal. If the fault occurs repeatedly:</p> <ol style="list-style-type: none"> 1. Measure the actual grid voltage, and contact the local electric power company for solutions if the grid voltage is lower than the set value. 2. Check whether the protection parameters are appropriately set via the App or the LCD. 3. Check whether the AC cable is firmly in place. 4. If the fault is not caused by the foregoing reasons and still exists, contact SUNGROW.
007	AC instantaneous overcurrent, AC output current exceeds the upper limit of the inverter.	<p>Generally, the inverter will be reconnected to the grid after the grid returns to normal. If the fault occurs repeatedly, contact SUNGROW.</p>

Fault code	Description	Check method
008	Grid overfrequency, Grid frequency exceeds the upper limit of the inverter.	Generally, the inverter will be reconnected to the grid after the grid returns to normal. If the fault occurs repeatedly: 1. Measure the actual grid frequency, and contact the local electric power company for solutions if the grid frequency is beyond the set range.
009	Grid underfrequency, Grid frequency is lower than the lower limit of the inverter.	2. Check whether the protection parameters are appropriately set via the App or the LCD. 3. If the fault is not caused by the foregoing reasons and still exists, contact SUNGROW.
010	Grid power outage, AC switch or circuit is disconnected.	Generally, the inverter will be reconnected to the grid after the grid returns to normal. If the fault occurs repeatedly: 1. Check whether the grid supplies power reliably. 2. Check whether the AC cable is firmly in place. 3. Check whether the AC cable is connected to the correct terminal (whether the live wire and the N wire are correctly in place). 4. Check whether the AC circuit breaker is connected. 5. If the fault is not caused by the foregoing reasons and still exists, contact SUNGROW.
011	Device anomaly	Wait for the inverter to return to normal. Disconnect the AC and DC switches, and reconnect the AC and DC switches 15 minutes later to restart the inverter. If the fault still exists, contact SUNGROW.

Fault code	Description	Check method
012	Excessive leakage current	<p>1. The fault can be caused by poor sunlight or damp environment, and the inverter will be reconnected to the grid after the environment is improved.</p> <p>2. If the environment is normal, check whether the AC and DC cables are well insulated.</p> <p>3. If the fault is not caused by the foregoing reasons and still exists, contact SUNGROW.</p>
013	Grid abnormal, the grid voltage or frequency is out of the permissible range, and the inverter cannot be connected to the grid normally.	<p>Generally, the inverter will be reconnected to the grid after the grid returns to normal. If the fault occurs repeatedly:</p> <p>1. Measure the actual grid frequency, and contact the local electric power company for solutions if the grid parameter exceeds the set value.</p> <p>2. If the fault is not caused by the foregoing reasons and still exists, contact SUNGROW.</p>
014	10-minute grid overvoltage, the grid voltage exceeds the preset AC voltage of the inverter for a long time.	<p>Wait for the inverter to return to normal.</p> <p>If the fault occurs repeatedly, contact SUNGROW.</p>
015	Grid overvoltage, The grid voltage is higher than the set protection value	<p>Generally, the inverter will be reconnected to the grid after the grid returns to normal. If the fault occurs repeatedly:</p> <p>1. Measure the actual grid voltage, and contact the local electric power company for solutions if the grid voltage is higher than the set value.</p> <p>2. Check whether the protection parameters are appropriately set via the App or the LCD.</p> <p>3. Check whether the cross-sectional area of the AC cable meets the requirement.</p> <p>4. If the fault is not caused by the foregoing reasons and still exists, contact SUNGROW.</p>

Fault code	Description	Check method
016	Output overload, The configured module power is excessively large and out of the normal operation range of the inverter.	Wait for the inverter to return to normal. If the fault still exists, contact SUNGROW.
017	Grid voltage unbalance, the inverter detects unbalanced three-phase grid voltage	Generally, the inverter will be reconnected to the grid after the grid returns to normal. If the fault occurs repeatedly: 1. Measure the actual grid voltage. If grid phase voltages differ greatly, contact the power company for solutions. 2. If the voltage difference between the three phases is within the permissible range of the local power company, modify the grid voltage imbalance parameter through the App or LCD screen. 3. If the fault is not caused by the foregoing reasons and still exists, contact SUNGROW.
019-020	Device anomaly	Wait for the inverter to return to normal. Disconnect the AC and DC switches, and reconnect the AC and DC switches 15 minutes later to restart the inverter. If the fault still exists, contact SUNGROW.
021-022	Device anomaly	Wait for the inverter to return to normal. Disconnect the AC and DC switches, and reconnect the AC and DC switches 15 minutes later to restart the inverter. If the fault still exists, contact SUNGROW.
024-025 030-034	Device anomaly	Wait for the inverter to return to normal. Disconnect the AC and DC switches, and reconnect the AC and DC switches 15 minutes later to restart the inverter. If the fault still exists, contact SUNGROW.

Fault code	Description	Check method
036	Temperature anomaly, The temperature of the power module is excessively high and out of the safe range.	<ol style="list-style-type: none"> 1. Check whether the inverter is directly exposed to sunlight. If so, take some shading measures. 2. Check and clean the air ducts. 3. Check whether there is 070 (fan anomaly) alarm via the App or the LCD. If so, replace the fans.
037	Temperature anomaly, The temperature of the interior of the inverter is excessively high and out of the safe range.	<ol style="list-style-type: none"> 1. Check whether the inverter is directly exposed to sunlight. If so, take some shading measures. 2. Check and clean the air ducts. 3. Check whether there is 070 (fan anomaly) alarm via the App or the LCD. If so, replace the fans.
038	Device anomaly	<p>Wait for the inverter to return to normal.</p> <p>Disconnect the AC and DC switches, and reconnect the AC and DC switches 15 minutes later to restart the inverter.</p> <p>If the fault still exists, contact SUNGROW.</p>
039	Low system insulation resistance, which is generally caused by poor insulation to ground of the module/ cable or by rainy and damp environment.	<p>Wait for the inverter to return to normal. If the fault occurs repeatedly:</p> <ol style="list-style-type: none"> 1. Check whether the ISO resistance protection value is excessively high via the App or the LCD, and ensure that it complies with the local regulations. 2. Check the resistance to ground of the string and DC cable. Take correction measures in case of short circuit or damaged insulation layer. 3. If the cable is normal and the fault occurs on rainy days, check it again when the weather turns fine. 4. If the fault is not caused by the foregoing reasons and still exists, contact SUNGROW.

Fault code	Description	Check method
040-042	Device anomaly	Wait for the inverter to return to normal. Disconnect the AC and DC switches, and reconnect the AC and DC switches 15 minutes later to restart the inverter. If the fault still exists, contact SUNGROW.
043	Low ambient temperature, the ambient temperature is lower than the temperature at which the inverter can operate normally.	Stop and disconnect the inverter. Restart the inverter when the ambient temperature falls within the operation temperature range.
044-046	Device anomaly	Wait for the inverter to return to normal. Disconnect the AC and DC switches, and reconnect the AC and DC switches 15 minutes later to restart the inverter. If the fault still exists, contact SUNGROW.
047	PV input configuration abnormal, PV input mode error	Stop and disconnect the inverter. Reset the input mode of the PV array.
048-050 053-056 059-060	Device anomaly	Wait for the inverter to return to normal. Disconnect the AC and DC switches, and reconnect the AC and DC switches 15 minutes later to restart the inverter. If the fault still exists, contact SUNGROW.
070	Fan alarm	1. Check whether the fans operate normally and are blocked by sundries. If they are blocked, clear the sundries. 2. If a fan does not operate normally, stop and disconnect the inverter to replace the fan.
071	AC-side SPD alarm	Check the SPD, and replace it if necessary.
072	DC-side SPD alarm	
076	Device anomaly	Wait for the inverter to return to normal. Disconnect the AC and DC switches, and reconnect the AC and DC switches 15 minutes later to restart the inverter. If the fault still exists, contact SUNGROW.

Fault code	Description	Check method
078-081	PVx abnormal	<p>1. Check if the xth PV string needs to be connected.</p> <p>If not, ignore the alarm; and</p> <p>If so, check the connection status and make sure it is connected reliably.</p> <p>2. Check if the xth DC fuse is damaged. If so, replace the fuse.</p> <p>3. If the fault is not caused by the foregoing reasons and still exists, contact SUNGROW.</p> <p>*The code 078 to code 081 are corresponding to PV 1 to PV 4 respectively.</p>
087	Electric arc detection module abnormal	<p>The inverter can operate normally.</p> <p>1. Check whether the related cable connection and terminals are abnormal, and check whether the ambient environment is abnormal. If so, remove the corresponding abnormality.</p> <p>2. If the fault is not caused by the foregoing reasons and still exists, contact SUNGROW.</p>
088	Electric arc fault	<p>1. Disconnect the DC inputs and check whether DC cables are damaged, whether the wiring terminals or fuses are loose or in poor contact, and whether component parts are burnt. If so, take corresponding corrective measures.</p> <p>2. After taking corresponding measures in step 1, reconnect the DC inputs. Remove the arc fault through the App or LCD screen so that the inverter will recover to be normal.</p> <p>3. If the fault is not caused by the foregoing reasons and still exists, contact SUNGROW.</p>
089	Electric arc detection disabled	<p>1. Enable the AFD function through the App or the LCD screen so that the inverter will recover to be normal.</p> <p>2. If the fault is not caused by the foregoing reasons and still exists, contact SUNGROW.</p>

Fault code	Description	Check method
105	Protection self-check failure on grid side	Restart the inverter or clear the fault through the App. If the fault still exists, contact SUNGROW.
106	Grounding cable fault	1. Check whether the AC cable is correctly connected. 2. Check whether the insulation between the ground cable and the live wire is normal. 3. If the fault is not caused by the foregoing reasons and still exists, contact SUNGROW.
116-117	Device anomaly	Wait for the inverter to return to normal. Disconnect the AC and DC switches, and reconnect the AC and DC switches 15 minutes later to restart the inverter. If the fault still exists, contact SUNGROW.
220~227	PVx abnormal	1. Check if the xth PV string needs to be connected. If not, ignore the alarm; and If so, check the connection status and make sure it is connected reliably. 2. Check if the xth DC fuse is damaged. If so, replace the fuse. 3. If the fault is not caused by the foregoing reasons and still exists, contact SUNGROW. *The code 220 to code 227 are corresponding to PV 5 to PV 12 respectively.
448~471	String x reverse connection fault	1. Check whether the corresponding string is of reverse polarity. If so, disconnect the DC switch and adjust the polarity when the solar radiation is low and the string current drops below 0.5A. 2. If the fault is not caused by the foregoing reasons and still exists, contact SUNGROW. *The code 448 to code 471 are corresponding to string 1 to string 24 respectively.

Fault code	Description	Check method
532-547	String x reverse connection alarm	<p>1. Check whether the corresponding string is of reverse polarity. If so, disconnect the DC switch and adjust the polarity when the solar radiation is low and the string current drops below 0.5A.</p> <p>2. If the fault is not caused by the foregoing reasons and still exists, contact SUNGROW.</p> <p>*The code 532 to code 547 are corresponding to string 1 to string 16 respectively.</p>
548-563	String x output current anomaly	<p>1. Check whether the corresponding module is sheltered. If so, remove the shelter and ensure module cleanness.</p> <p>2. Check the module for abnormal aging.</p> <p>3. If the fault is not caused by the foregoing reasons and still exists, contact SUNGROW.</p> <p>*The code 548 to code 563 are corresponding to string 1 to string 16 respectively.</p>
564-571	String x reverse connection alarm	<p>1. Check whether the corresponding string is of reverse polarity. If so, disconnect the DC switch and adjust the polarity when the solar radiation is low and the string current drops below 0.5A.</p> <p>2. If the fault is not caused by the foregoing reasons and still exists, contact SUNGROW.</p> <p>*The code 564 to code 571 are corresponding to string 17 to string 24 respectively.</p>
580-587	String x output current anomaly	<p>1. Check whether the corresponding module is sheltered. If so, remove the shelter and ensure module cleanness.</p> <p>2. Check the module for abnormal aging.</p> <p>3. If the fault is not caused by the foregoing reasons and still exists, contact SUNGROW.</p> <p>*The code 580 and 587 are corresponding to string 17 and string 24 respectively.</p>

9.2 Maintenance

DANGER

Risk of inverter damage or personal injury due to incorrect service!

- Always keep in mind that the inverter is powered by dual sources: PV strings and utility grid.

Before any service work, observe the following procedure.

- Disconnect the AC circuit breaker and then set the DC load-break switch of the inverter to OFF;
- Wait at least 5 minutes for inner capacitors to discharge completely;
- Verify that there is no voltage or current before pulling any connector.

CAUTION

Keep non-related persons away!

A temporary warning sign or barrier must be posted to keep non-related persons away while performing electrical connection and service work.

NOTICE

Restart the inverter only after removing the fault that impairs safety performance.

As the inverter contains no component parts that can be maintained, never arbitrarily replace any internal components.

For any maintenance need, please contact SUNGROW. Otherwise, SUNGROW shall not be held liable for any damage caused.

9.2.1 Routine Maintenance

Item	Method	Period
System clean	Check the temperature and dust of the inverter. Clean the inverter enclosure if necessary. Check if the air inlet and outlet are normal. Clean the air inlet and outlet, if necessary.	Six months to a year (- depend on the dust contents in air.)
Fans	Check whether there is fan warning using App. Check whether there is any abnormal noise when the fan is turning. Clean or replace the fans if necessary (see the following section).	Once a year
Cable entry	Check whether the cable entry is insufficiently sealed or the gap is excessively large, and reseal the entry when necessary.	Once a year
Electrical Connection	Check whether all cable are firmly in place. Check whether a cable is damaged, especially the part contacting the metal enclosure.	Six months to a year

9.2.2 Maintenance Instruction

Cleaning Air Inlet and Outlet

A huge amount of heat is generated in the process of running the inverter. The inverter adopts a controlled forced-air cooling method.

In order to maintain good ventilation, please check to make sure the air inlet and outlet are not blocked.

Clean the air inlet and outlet with soft brush or vacuum cleaner if necessary.

Fan Maintenance

⚠ DANGER

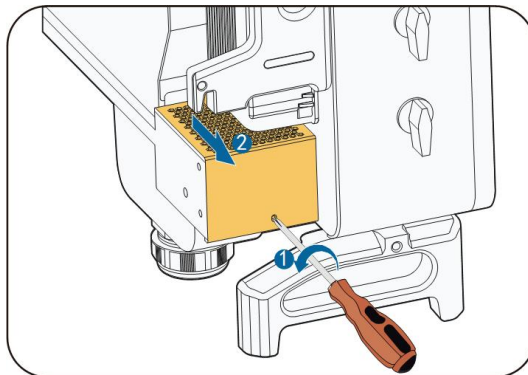
- Stop the inverter and disconnect it from all power supplies before maintenance.
- Lethal voltage still exists in the inverter. Please wait for at least 5 minutes and then perform maintenance work.
- Only qualified electricians can maintain the fans.

Fans inside the inverter are used to cool the inverter during operation. If the fans do not operate normally, the inverter may not be cooled down and inverter efficiency may decrease. Therefore, it is necessary to clean the dirty fans and replace the broken fans in time.

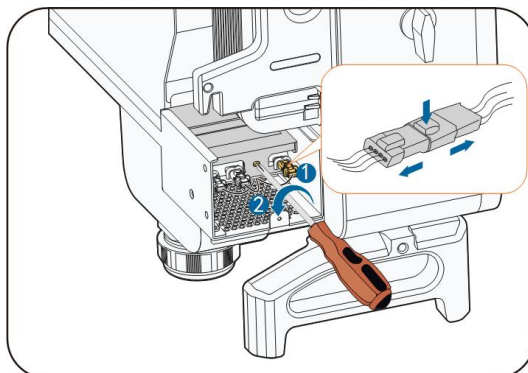
The operation procedure is as follows:

step 1 Stop the inverter (see 8.1 Disconnecting the Inverter).

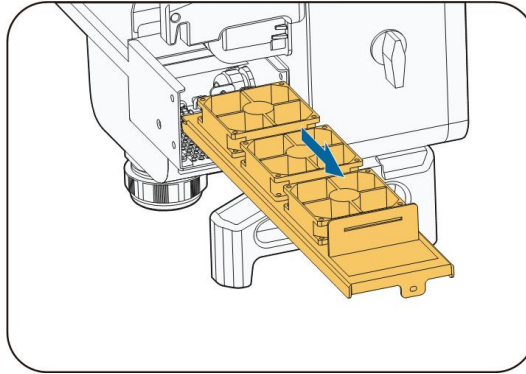
step 2 Loosen the screw on the sealing plate of the fan module.



step 3 Press the hump of the latch hook, unplug the cable connection joint outwards, and loosen the screw on the fan holder.



step 4 Pull out the fan module, clean the fans with soft brush or vacuum cleaner, and replace them when necessary.



step 5 Reinstall the fan back to the inverter in reverse order and restart the inverter.

-- End

10 Appendix

10.1 Technical Data

Parameters	SG30CX (Australia Only)	SG33CX	SG40CX	SG50CX
Input (DC)				
Max. PV input voltage			1100V	
Min.PV input voltage/ Startup input voltage			200V / 250V	
Nominal input voltage			585V	
MPP voltage range			200~1000V	
MPP voltage range for nominal power			550~850V	
No. of independent MPP inputs	3	3	4	5
Max. number of PV strings per MPPT			2	
Max. PV input current	78A	78A	104A	130A
Max. current for input connector			30A	
Max.DC Short-circuit current	120A	120A	160A	200A
Max. inverter backfeed current to the array			0A	
Output (AC)				
AC output power	29.9kVA	/	/	Australia: max. 50 kVA
AC output power @ 45 °C, 400Vac	/	33kVA	40kVA	50kVA
AC output power @ 40 °C, 400Vac	/	36.3kVA	44kVA	55kVA
AC output power @ 50 °C, 415Vac	/	33kVA	40kVA	50kVA

Parameters	SG30CX			
	(Australia Only)	SG33CX	SG40CX	SG50CX
AC output power @ 45 °C, 415Vac	/	36.3kVA	44kVA	55kVA
Max. AC output current	43.15A	55.2A	66.9A	83.6A
Max. inrush current (- peak value / duration)	16.9A@3.6-8ms	16.9A@3.68- ms	17.5A@2.3-4ms	18A@3.68ms
Max. output fault current (peak value / duration)	168A@1.4- ms	168A@1.4ms	184A@1.6- ms	235A@1.25m- s
Max. output over-current protection	148A	148A	159A	194A
Nominal AC voltage	3 / N / PE , 230 / 400V			
AC voltage range	312~528V			
Nominal grid frequency/Grid frequency range	50Hz / 45~55Hz , 60Hz / 55~65Hz			
Total harmonic distortion (THD)	< 3 % (at nominal power)			
DC current injection	<0.5%In			
Power factor	0.99			
Adjustable power factor	0.8 leading – 0.8 lagging			
Feed-in phases / Connection phases	3/3			
Efficiency				
Max. efficiency / European efficiency	98.6% / 98.3%	98.6% / 98.3%	98.6% / 98.3%	98.7% / 98.4%
Protection				
DC reverse connection protection	Yes			
AC short-circuit protection	Yes			
Leakage current protection	Yes			

Parameters	SG30CX			
	(Australia Only)	SG33CX	SG40CX	SG50CX
Grid monitoring			Yes	
DC switch* / AC switch	No / No	Yes / No	Yes / No	Optional / No
PV string current monitoring			Yes	
Q at night			Yes	
PID recovery function			Yes	
Overvoltage protection		DC Type II / AC Type II		
General Data				
Dimensions (W*H*D)	702 × 595 × 310mm		782 × 645 × 310mm	
Weight	50kg	50kg	58kg	62kg
Isolation method	Transformerless			
Degree of protection	IP66			
Night power consumption	≤2 W			
Operating ambient temperature range	-30 to 60 °C (> 45 °C derating)			
Allowable relative humidity range (non-condensing)	0 - 100%			
Cooling method	Smart forced air cooling			
Max. operating altitude	4000 m (> 3000 m derating)			
Display	LED, Bluetooth + App			
Communication	RS485/ Wi-Fi(optional)/Ethernet(optional)			
DC connection type	MC4 (Max. 6 mm ²)			
ACconnection type	OT or DT terminal (Max.70 mm ²)			

Parameters	SG30CX			
	(Australia Only)	SG33CX	SG40CX	SG50CX
Compliance	IEC 62109, IEC 61727, IEC 62116, IEC 60068, IEC 61683, VDE-AR-N 4105:2018, VDE-AR-N 4110:2018, IEC 61000- 6-3, EN 50438, AS/ NZS 4777.2:20- 15	IEC 62109, IEC 61727, IEC 62116, IEC 60068, IEC 61683, VDE-AR-N 4105:2018, VDE-AR-N 4110:2018, IEC 61000-6-3, EN 50549, AS / NZS 4777.2:2015, CEI 0-21, VDE 0126-1-1 / A1 VFR 2014, UTE C15-712-1:2013, DEWA		
Grid Support	Q atnight function, LVRT, HVRT, active & reactive power control and power ramp rate control			

* Devices for Australia and New Zealand are not equipped with DC switches.

10.2 Wiring Distance of DI Dry Contact

The maximum wiring distance of DC dry contact must meet the requirements in the table below. The wiring distance L is the total length of all DI signal cables.

$$L = \sum_{k=1}^n L_k$$

L_k refers to the cable length between the DI dry contact terminal of the k^{th} inverter and the corresponding terminal of the $(k-1)^{\text{th}}$ inverter.

table 10-1 Correspondence between number of inverters and maximum wiring distance

Number of inverter	Maximum wiring distance(unit:m)	
	16AWG / 1.31mm ²	17AWG / 1.026mm ²
1	13030	10552
2	6515	5276
3	4343	3517
4	3258	2638
5	2606	2110

Number of inverter	Maximum wiring distance(unit:m)	
	16AWG / 1.31mm ²	17AWG / 1.026mm ²
6	2172	1759
7	1861	1507
8	1629	1319
9	1448	1172
10	1303	1055
11	1185	959
12	1086	879
13	1002	812
14	931	754
15	869	703
16	814	660
17	766	621
18	724	586
19	686	555
20	652	528
21	620	502
22	592	480
23	567	459
24	543	440
25	521	422

NOTICE

In case the specification of the cable used is not included in the table above, when there is only one inverter, ensure that the line impedance of the input node is less than 300Ω; and when there are multiple inverters connected in the daisy chain, ensure that the impedance is less than 300Ω/number of inverter.

10.3 Quality Assurance

When product faults occur during the warranty period, SUNGROW will provide free service or replace the product with a new one.

Evidence

During the warranty period, the customer shall provide the product purchase invoice and date. In addition, the trademark on the product shall be undamaged and legible. Otherwise, SUNGROW has the right to refuse to honor the quality guarantee.

Conditions

- After replacement, unqualified products shall be processed by SUNGROW.
- The customer shall give SUNGROW a reasonable period to repair the faulty device.

Exclusion of Liability

In the following circumstances, SUNGROW has the right to refuse to honor the quality guarantee:

- The free warranty period for the whole machine/components has expired.
- The device is damaged during transport.
- The device is incorrectly installed, refitted, or used.
- The device operates in harsh environment, as described in this manual.
- The fault or damage is caused by installation, repairs, modification, or disassembly performed by a service provider or personnel not from SUNGROW.
- The fault or damage is caused by the use of non-standard or non-SUNGROW components or software.
- The installation and use range are beyond stipulations of relevant international standards.
- The damage is caused by unexpected natural factors.

For faulty products in any of above cases, if the customer requests maintenance, paid maintenance service may be provided based on the judgment of SUNGROW.

10.4 Contact Information

We need the following information to provide you the best assistance:

- Type of the device
- Serial number of the device
- Fault code/name
- Brief description of the problem

China Sungrow Power Supply Co., Ltd Hefei +86 551 65327834 service@sungrowpower.com	Australia Sungrow Australia Group Pty. Ltd. Sydney +61 2 9922 1522 service@sungrowpower.com.au
Brazil SungrowDo Brasil Sao Paulo +55 11 2366 1957 latam.service@sa.sungrowpower.com	France Sungrow France – Siege Social Paris service.france@sungrow.co
Germany Sungrow Deutschland GmbH M ü nchen +49 89 324 914 761 service.germany@sungrow.co	Greece Service Partner – Survey Digital +30 2106044212 service.greece@sungrow.co
India Sungrow (India) Private Limited Gurgaon +9108041201350 service@in.sungrowpower.com	Italy Sungrow Italy Milano service.italy@sungrow.co
Japan Sungrow Japan K.K. Tokyo + 81 3 6262 9917 japanservice@jp.sungrowpower.com	Korea Sungrow Power Korea Limited Seoul +827077191889 service@kr.sungrowpower.com
Malaysia Sungrow SEA Selangor Darul Ehsan +6019897 3360 service@my.sungrowpower.com	Philippines Sungrow Power Supply Co., Ltd Mandaluyong City +639173022769 service@ph.sungrowpower.com
Thailand SungrowThailand Co., Ltd. Bangkok +66891246053 service@th.sungrowpower.com	Spain Sungrow Ib é rica S.L.U. Navarra service.spain@sungrow.co

Romania	Turkey
Service Partner - Elerex	Sungrow Deutschland GmbH Turkey
+40 241762250	Istanbul Representative Bureau
service.romania@sungrow.co	Istanbul
	+90 2127318883
	service.turkey@sungrow.co
UK	U.S.A, Mexico
Sungrow Power UK Ltd.	Sungrow USA Corporation
Milton Keynes	PhoenixArizona
+44 (0) 0908 414127	+1833 7476937
service.uk@sungrow.co	techsupport@sungrow-na.com
Vietnam	
Sungrow Vietnam	
Hanoi	
+84 918 402 140	
service@vn.sungrowpower.com	

SUNGROW

Sungrow Power Supply Co., Ltd.

Add: No.1699 Xiyou Rd.,New & High Technology Industrial Development Zone, 230088,Hefei, P. R. China.

Web: www.sungrowpower.com

E-mail: info@sungrow.cn

Tel: +86 551 6532 7834 / 6532 7845